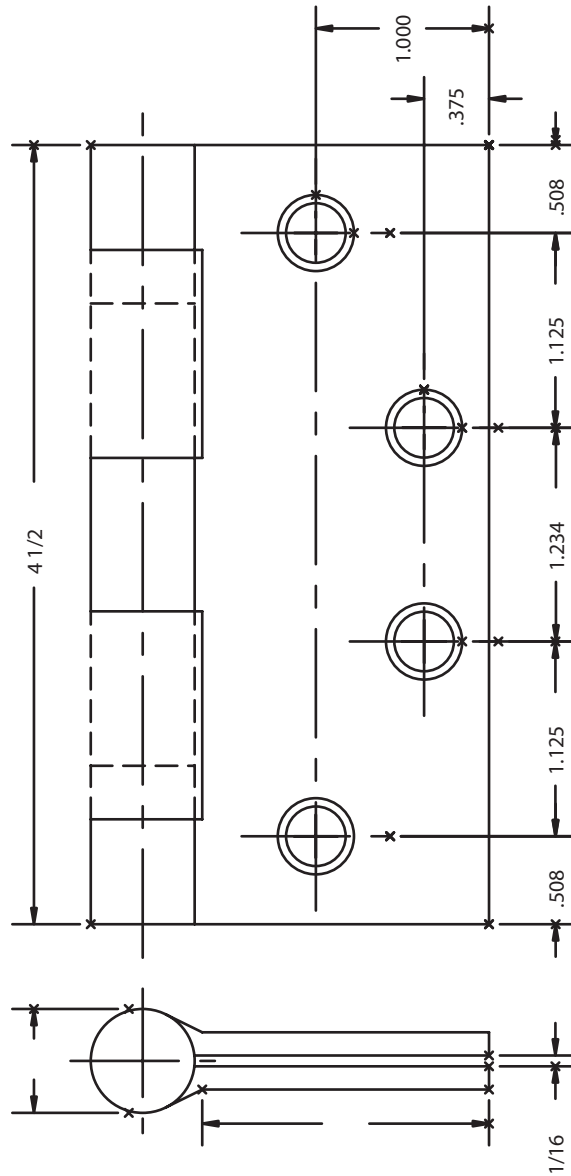




# TEMPLATE

## Full Mortise Template Hinges

Plain Bearing-Standard Weight  
4.5" x 4.5"



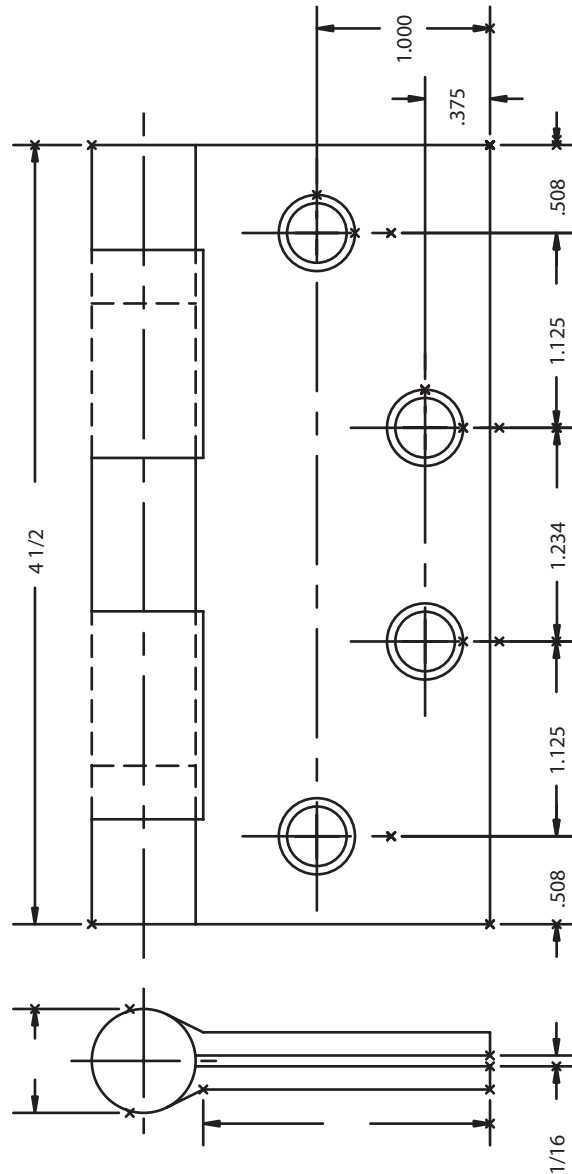
Please Do Not Scale



# TEMPLATE

## Full Mortise Template Hinges

Ball Bearing-Standard Weight, Including Non-Ferrous  
4.5" x 4.5", 4.5" x 4"



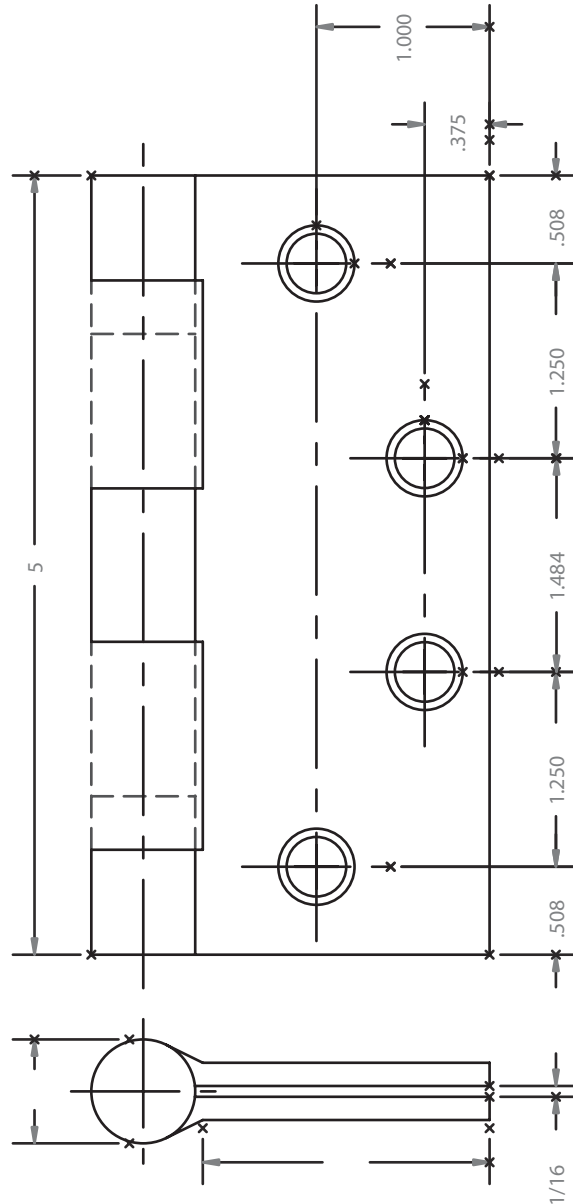
Please Do Not Scale



# TEMPLATE

## Full Mortise Template Hinges

Ball Bearing-Standard Weight, Including Non-Ferrous  
5" x 4.5", 5" x 5"



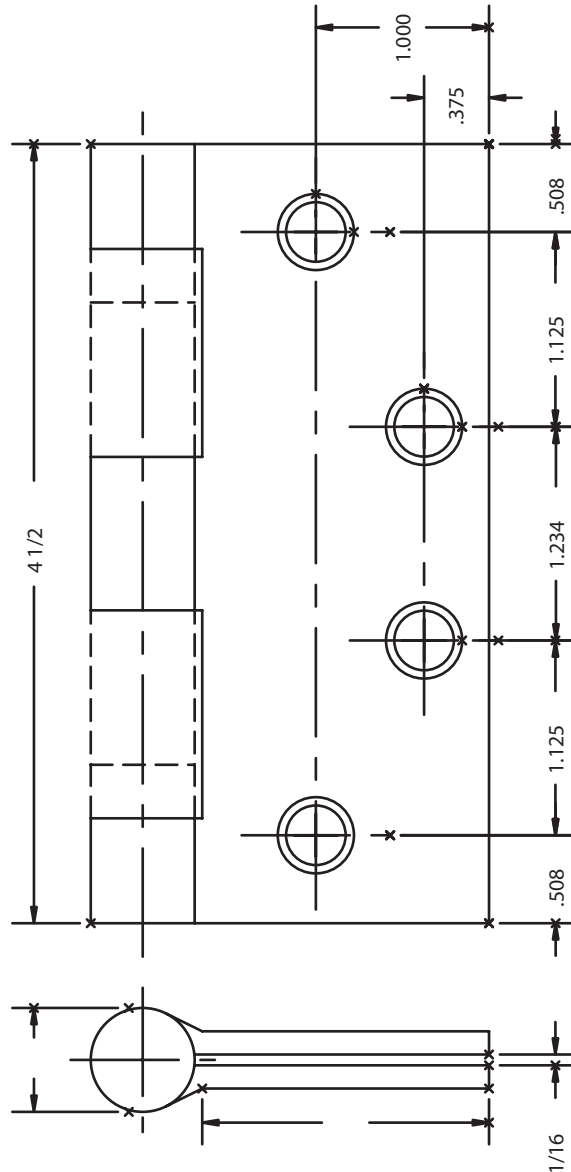
Please Do Not Scale



# TEMPLATE

## Full Mortise Template Hinges

Ball Bearing-Heavy Weight, Including Non-Ferrous  
4.5" x 4.5", 4.5" x 4"



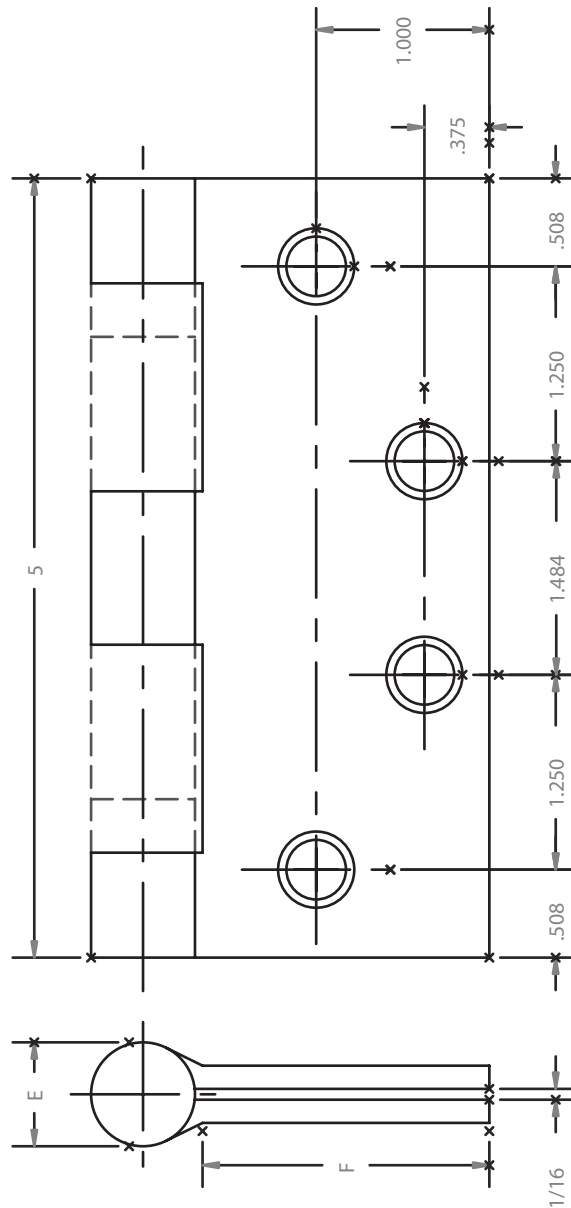
Please Do Not Scale



# TEMPLATE

## Full Mortise Template Hinges

Ball Bearing-Heavy Weight, Including Non-Ferrous  
5" x 4.5", 5" x 5"



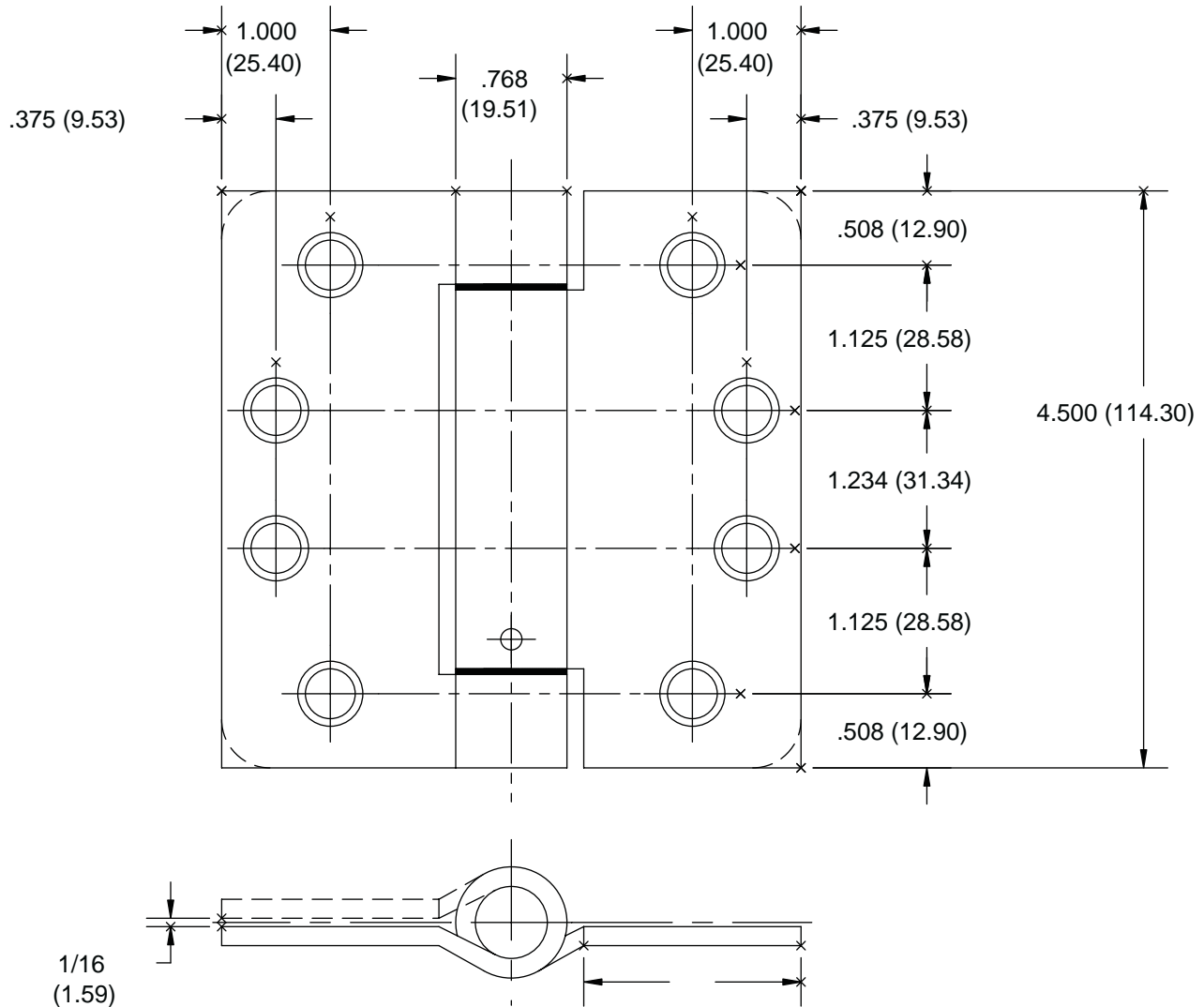
Please Do Not Scale



# TEMPLATE

## Full Mortise Template Hinges

Spring Hinge-Standard Weight, Including Non-Ferrous  
4.5" x 4.5"



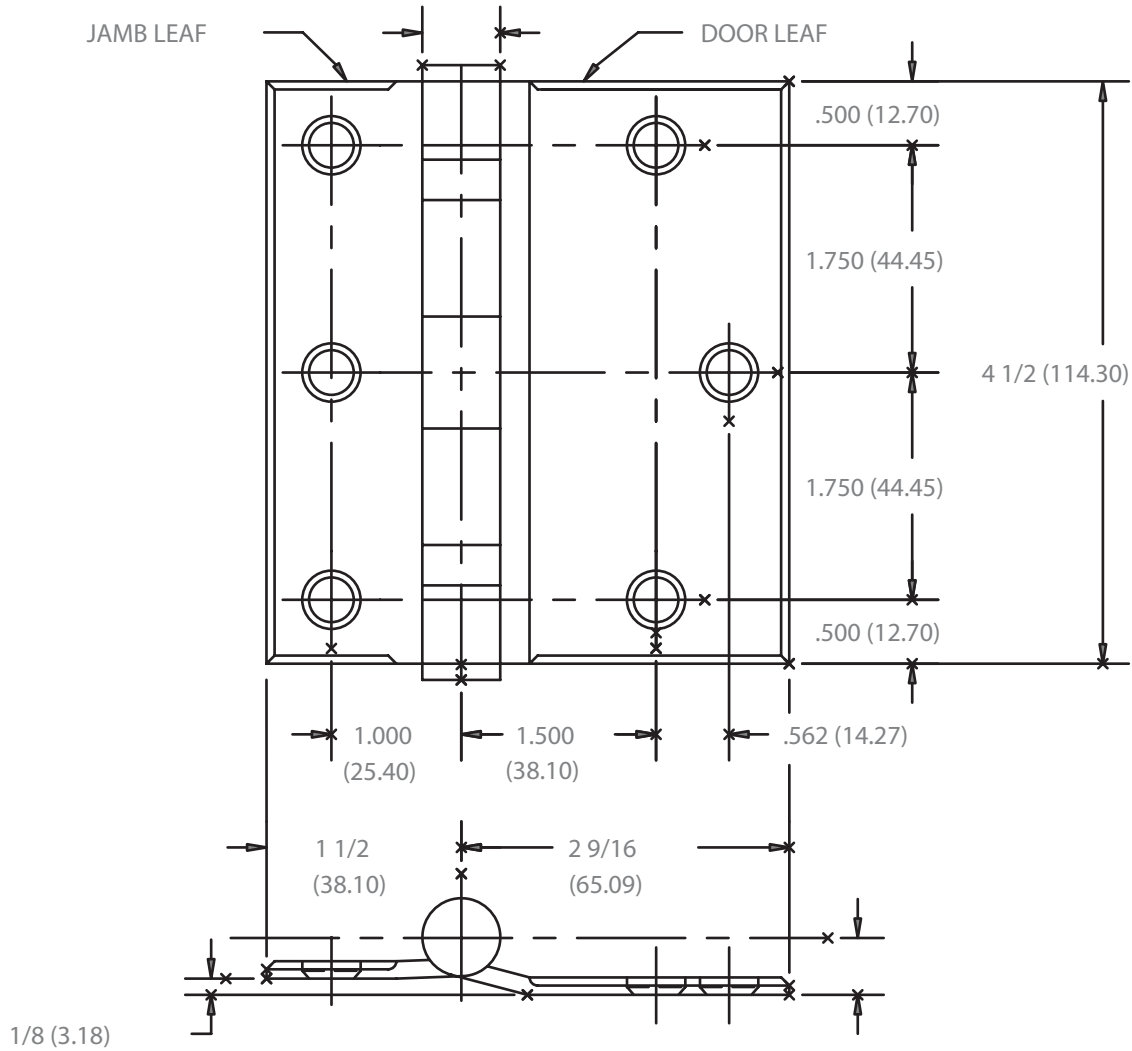
Please Do Not Scale



# TEMPLATE

## Full Surface Template Hinges

Ball Bearing-Standard Weight  
4.5"



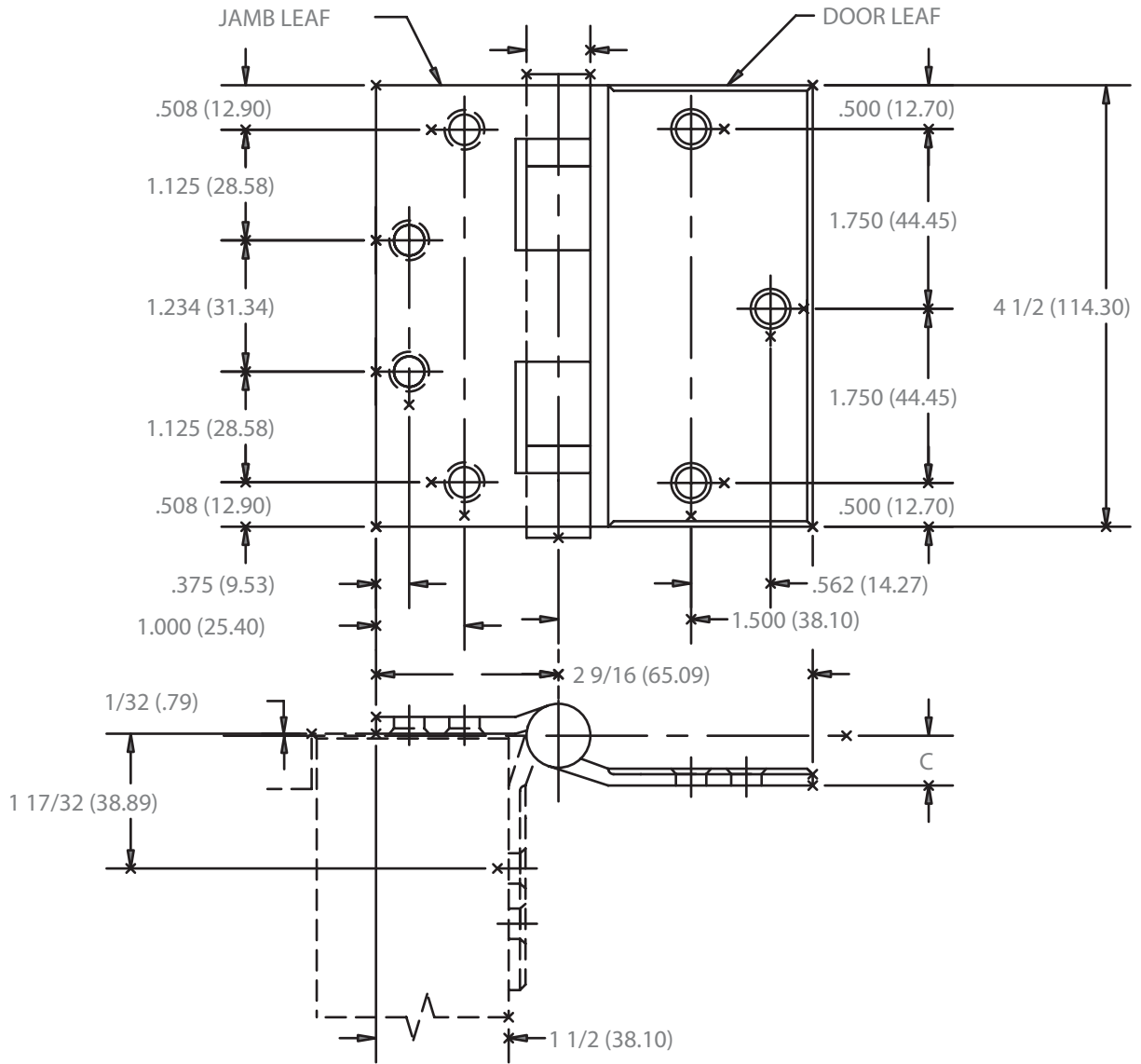
Please Do Not Scale



# TEMPLATE

## Half Surface Template Hinges

Ball Bearing-Standard Weight  
4.5"



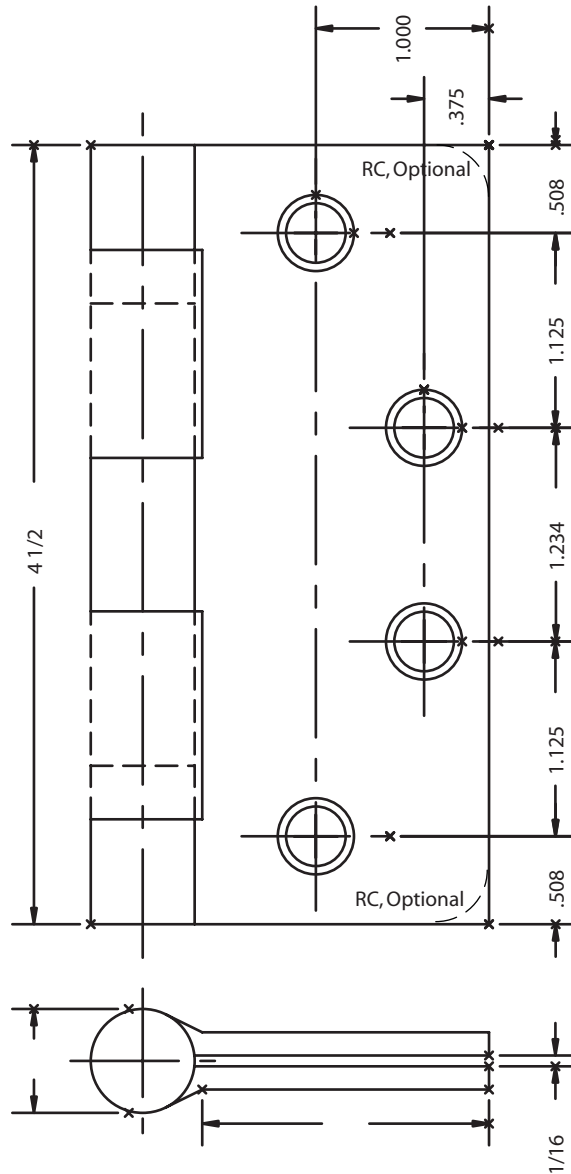
Please Do Not Scale



# TEMPLATE

## Full Mortise Template Hinges

Ball Bearing-Standard Weight Non-Ferrous Radius Corner  
4.5" x 4"



Please Do Not Scale



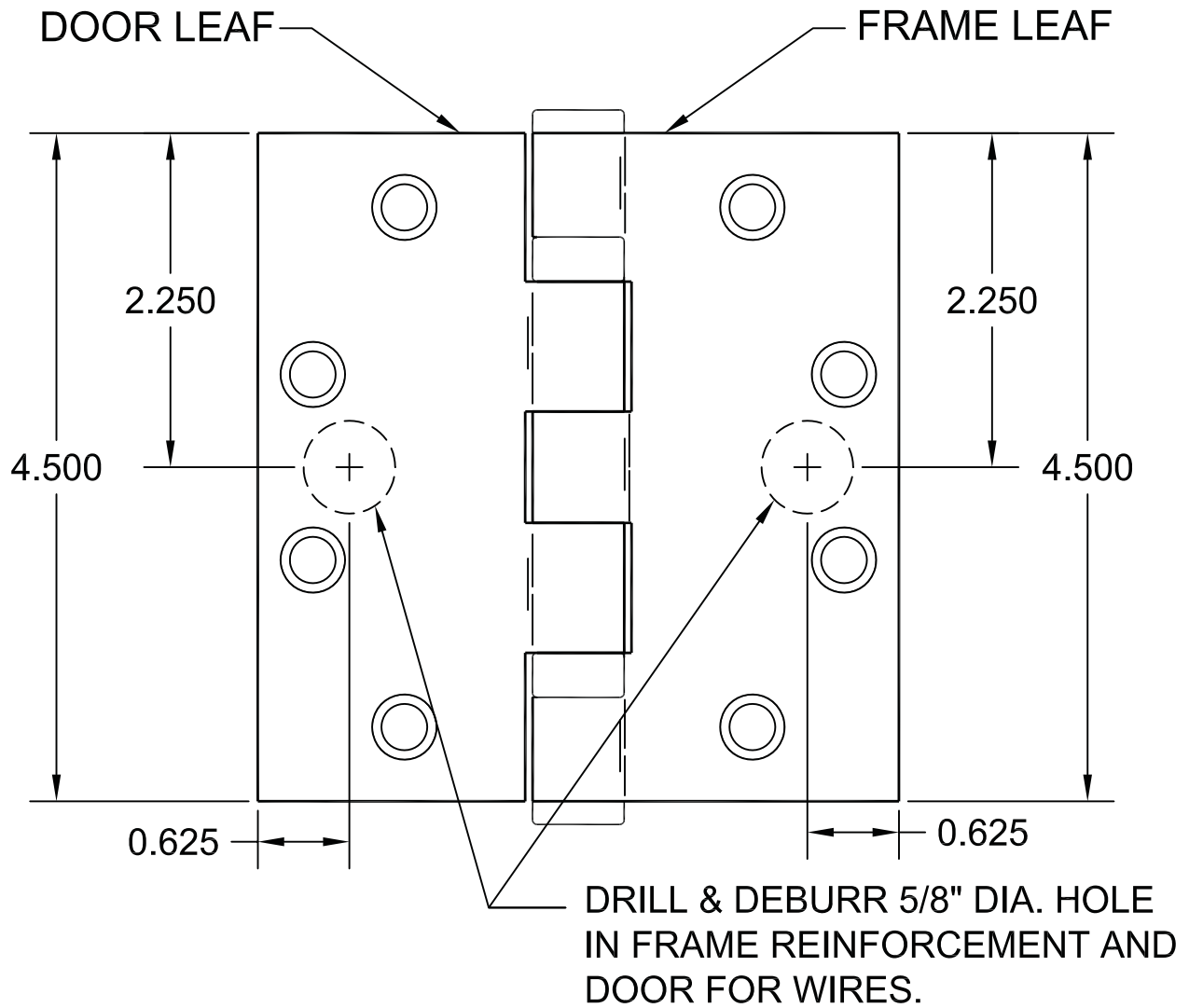


# TEMPLATE

## Full Mortise Template Electrified Hinges

Ball Bearing-Standard/Heavy Weight

4.5" x 4.5"



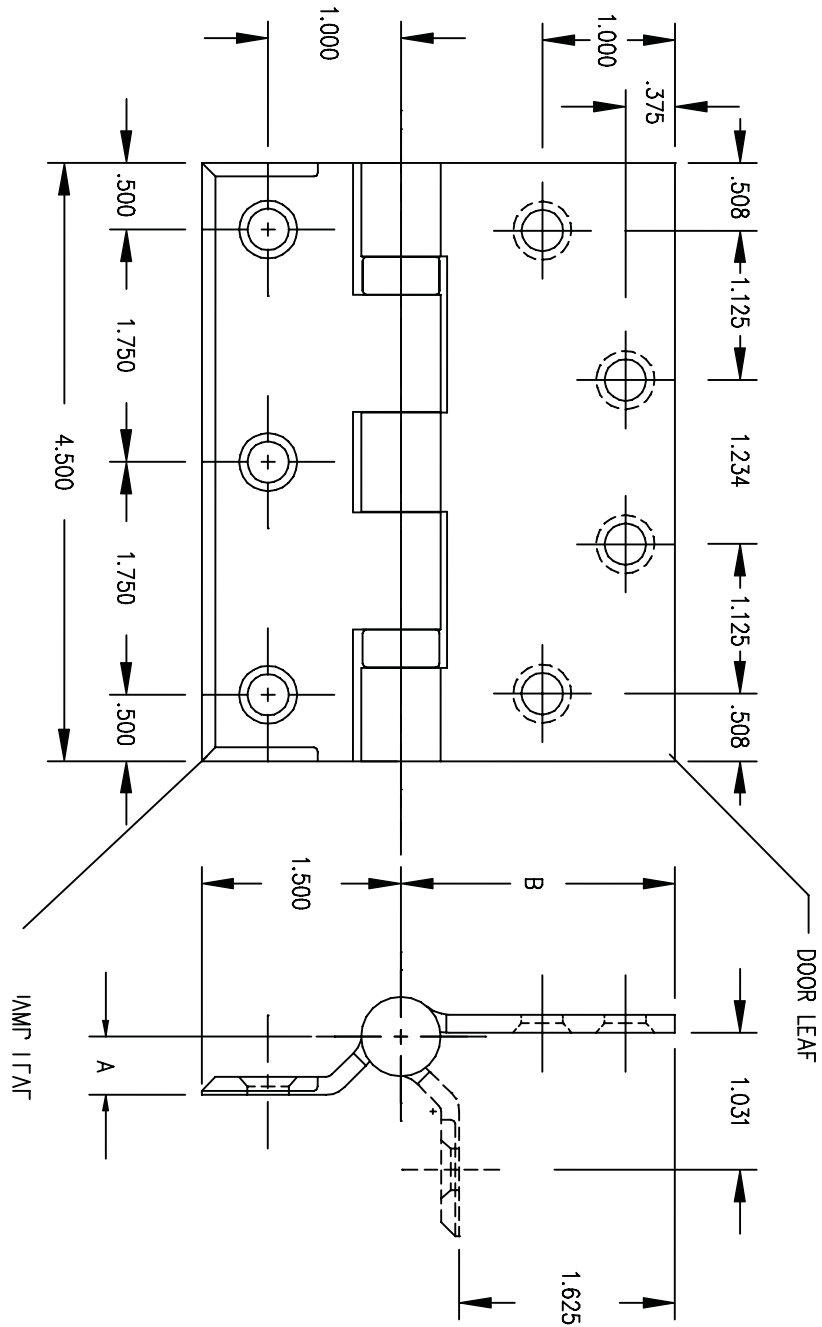
Please Do Not Scale



# TEMPLATE

## Half Mortise Template Hinges

Ball Bearing-Standard Weight  
4.5"



Please Do Not Scale