



Introduction

Dear Customer,

Welcome to Boston Architectural Hinge Company. BAHCO is a manufacturer and distributor of architectural grade hinges in the greater Boston area. At BAHCO we have a motivated team of people who are driven by the customer's needs and committed to providing a level of service that will exceed your expectations.

This starts with taking extra steps to maintain a superior level of quality for our products. We make sure a first-rate product arrives at our warehouse by inspecting the products at several different checkpoints. First, our products are checked at the manufacturing facilities overseas. Second, we randomly inspect products in our warehouse at the time of packing and shipping. This process guarantees that we are sending out top quality products to our customers every time. Also, we are going to great lengths to be sure that the products you regularly require are always in stock and available to you whenever you need them. In most cases, this means that we ship your order the next day.

Our product is a great alternative to high-priced, domestic manufacturers. We offer top quality packaging and presentation. Our company is inspired to raise the level of continuity between customers and the manufacturer in order to increase your efficiency and lower your costs.

We hope that BAHCO can open new doors for your company in the future.

Sincerely,

Brian D. McKinnon
Boston Architectural Hinge Co.



Table of Contents

Contact Info/Payment Info	3-4
Warranty	5
Credit Application	6-7
Request for Return Authorization	8
Finish Codes Comparative Chart	9
Part Number Comparative Chart	10
Product Data	A1-A15
Template Information	T1-T16
Cut Sheets	CS1-CS6
Price List	P1-P14
Geared Continuous Hinge Information	GC1-GC7
Geared Continuous Hinge Price List	GCP1-GCP2



Contact Information

Boston Architectural Hinge Co.
300 Oak Street / Corporate Park
Unit 1200
Pembroke, MA 02359

Telephone: **781-826-0008**
Fax: **781-826-8881**
E-mail: **bahco.bahco@gmail.com**
Web: **http://www.bahcohinge.com**

Local Representative Information:

Payment Information

General Terms and Conditions

1. Prices subject to change.
2. Amount taxed required by the state of Massachusetts will be added to the invoice unless a tax exempt certificate or tax id number is given to B.A.H. Co. prior to release of material.
3. B.A.H. Co. is not responsible for delays in transport or shipping due to circumstances beyond our control.

Payment Terms

1. 1% Ten / Net 30 Days.
2. Delinquent accounts are subject to a 2% monthly interest charge.
3. Any account over 60 days will be subject to only C.O.D orders until payment is received in full.
4. Any account past 90 days will immediately be turned over to an outside collection firm.

Returned Goods Policy

Credits will only be given if a Returned Goods Authorization is signed by an officer of our company. Also returned goods are subject to a 35% restocking fee and material must be resalable. If material is found not to be resalable, then no credit will be issued. Also B.A.H. Co. is not responsible for freight on incorrect confirmed orders.

E-mail: **bahco.bahco@gmail.com**



Pricing Information

All prices listed in our catalog are based on case quantity. Please ask B.A.H. Co. or local representative to price large jobs for additional discounts. Use large job form provided by representative.

Delivery Information

All orders received by 11:00 AM eastern standard time will be shipped that day. Any order received after 11:00 AM eastern standard time will be shipped the following day.



Warranty

Boston Architectural Hinge Co, Inc. warrants all products to be free from defects in materials and workmanship for a period of 10 years from the date of purchase for the 5001 series and the 1001 series products, and for 5 years from the date of purchase for all architectural grade hinges.

Products or Series	Years under warranty
1001 Series Door Closer	10 Years
5001 Series Door Closer	10 Years
Architectural Grade Hinge	5 Years

This is a limited warranty and does not include products that are (1) not the proper size for the specific application or (2) products that are not installed in accordance with BAHCO installation instructions. These instructions are provided with every door closer and with every set of spring hinges sold. (3) Door closers and hinges must also be installed with proper fasteners designed for and supplied with each product for that installation. If products are to be found with other than the supplied hardware, found to be modified in any way without the written consent of Boston Architectural Hinge Co, Inc. they will not be considered under this warranty. (4) If products are subject to misuse, abuse, negligence, or accident the expenses are not covered by this limited warranty.

Boston Architectural Hinge Co, Inc. will replace the products in which the opinion of BAH Co are found to be defective, provided said products are returned to BAH Co for inspection.

Boston Architectural Hinge Co, Inc. shall in no event be liable for any incidental, consequential, indirect, special, or punitive damages for any claim whether based on contract, warranty, or otherwise. This limited warranty is in place of all other warranties, expressed or implied, and excludes any warranties for a particular purpose or merchantability. No agent, representative, dealer, or employee of BAH Co has the authority to increase or alter the obligations of this limited warranty.



CREDIT APPLICATION

I declare that the information provided is accurate, and that I am authorized by my company to execute this credit application. I hereby authorize the release of our credit status for the purpose of obtaining credit approval with Boston Architectural Hinge Company Incorporated. They have my permission to verify all the information stated above. Standard credit terms are Net 30, until terms are approved.

Signature: _____ Title: _____
Printed Name: _____ Date: _____



REQUEST FOR RETURN AUTHORIZATION

This form is to be used by the customer or sales representative to request return authorization of manufacturer's product(s).

RMA #: _____

Date: _____ Item(s): _____

Description/Finish: _____

Customer Name: _____ Contact: _____

Address: _____

City, State, ZIP: _____

Telephone: _____ Fax: _____ P.O. #: _____

Release #: _____ Invoice #: _____

Representative Firm: _____

Reason for Return Request: _____

Possibility of Resale:

Date Representative Called: _____ Reply: _____

Date CSR Called: _____ Reply: _____

Pick Up Hours: _____ Pick Up Date Requested: _____

Other Action: _____

Final Disposition: _____

Requested By: _____ Date: _____

Approved By: _____ Date: _____



Finish Codes and Comparative Finishes

U.S. #'s	Description	Competitor # Hager - Stanley - Bommer
USP	Primed	Same
US3	Bright Brass	Same
US4	Dull/Satin Brass	Same
US10	Dull/Satin Bronze	Same
US10A	Antique Bronze/Lacquered	Same
US10B	Antique Bronze/Oiled	Same
US15	Dull/Satin Nickel	Same
US20A	Statuary Bronze, Dark	Same
US26	Bright Chrome	Same
US26D	Dull/Satin Chrome	Same
US28	Anodized Dull Aluminum	Same
US32	Bright Stainless Steel	Same
US32D	Dull/Satin Stainless Steel	Same



Part Number Comparative Chart

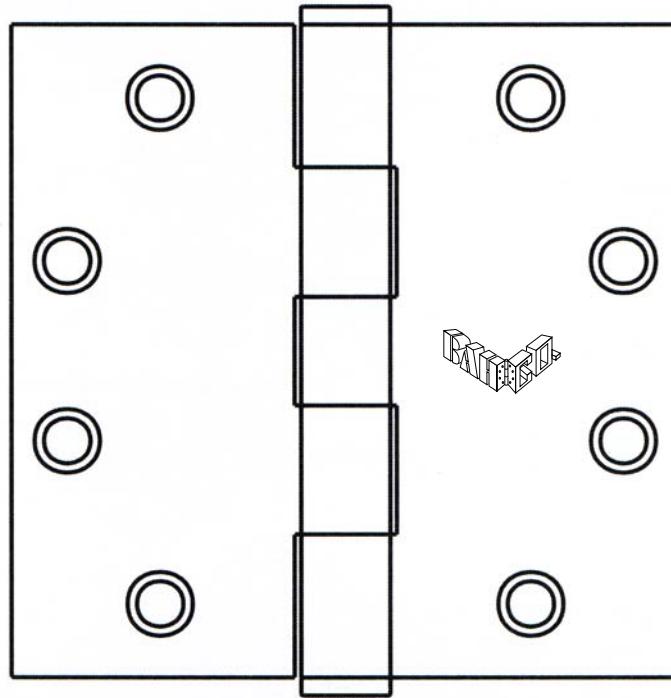
BAHCO	ANSI	HAGER	STANLEY	BOMMER	PBB	McKINNEY
PB0179	A8133	1279	179	LB5000	PB81	T2714
BB0179	A8112	BB1279	FBB179	BB5000	BB81	TB2714
BB0191	A5112	BB1191	FBB191	BB5002	BB21	TB2314
SH02060	K8107-1F	SH1250	SH02060	LB4310C	SP81	1502
BB0168	A8111	BB1168	FBB168	BB5004	4B81	T4B3786
BB0199	A5111	BB1199	FBB199	B5006	4B51	T4B3386
BB0129	A8212	BB1129	FBB129	B5100	BB82	TA2774
BB0171	A8312	BB2171	FBB171	BB5200	BB83	TB2771
BB0173	A8412	BB1173	FBB173	BB5300	BB84	TB2772
CB0900	A8112	AB700	CB1900	LB8000	CB81	TA714
CB0950	A8111	AB750	CB1961	LB8004	4C81	T4A386
CB0191	A5112	AB800	CB1960	LB8002	CB51	TA314



PRODUCT DATA

Full Mortise Template Hinges

Plain Bearing-Standard Weight
4.5" x 4.5"



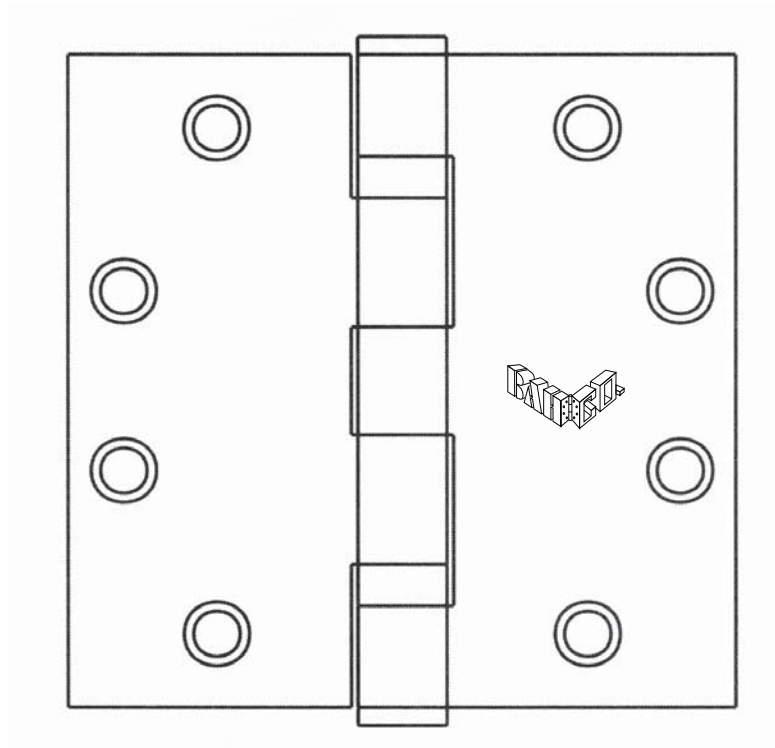
Part #	Size	Gauge	Finishes
PB0179	4.5" x 4.5"	.134	USP US3 US4 US10 US10A US15 US26 US26D



PRODUCT DATA

Full Mortise Template Hinges

Ball Bearing-Standard Weight
4.5" x 4", 4.5" x 4.5"



Part #	Size	Gauge	Finishes
BB0179	4.5" x 4"* 4.5" x 4.5"	.134	USP US3 US4 US10 US10A US10B US15 US26 US26D

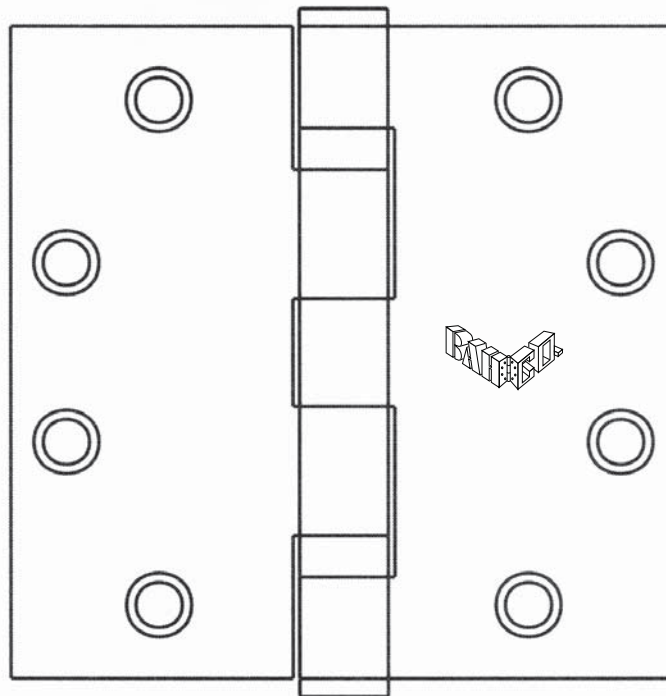
*: Available for US26D



PRODUCT DATA

Full Mortise Template Hinges

Ball Bearing-Standard Weight - Non-Removable Pin
 4.5" x 4", 4.5" x 4.5", 5" x 4.5", 5" x 5"



Part #	Size	Gauge	Finishes
BB0179 NRP	4.5" x 4"***	.134	USP
	4.5" x 4.5"		US3*
	5" x 4.5"***		US4*
	5" x 5"***		US10*
BB191 NRP*	4.5" x 4.5"	.134	US10A*
			US10B
			US15*
			US26*
			US26D*
			US32D*

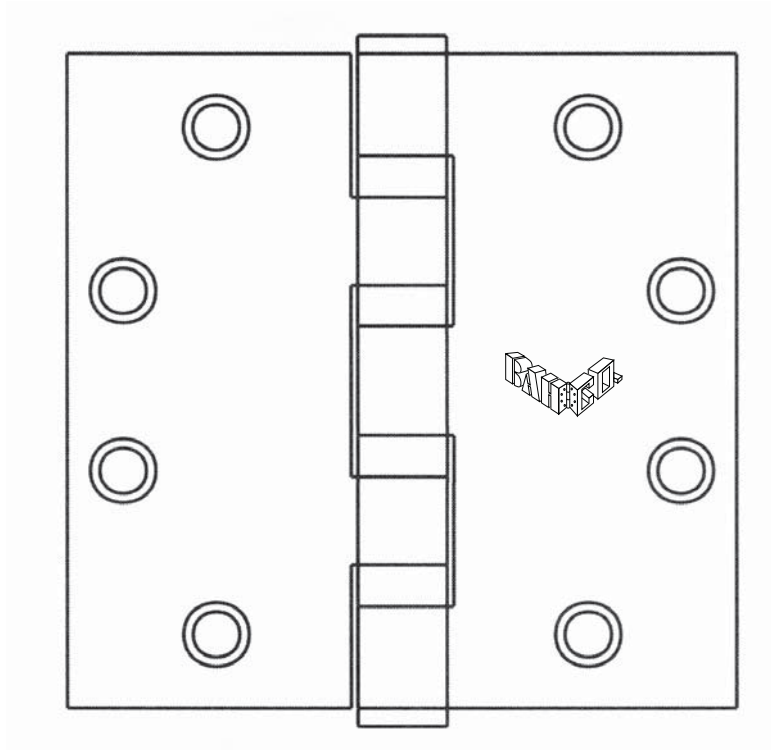
*: Offered in stainless base material. **: Available for US26D. ***: Available for US32D



PRODUCT DATA

Full Mortise Template Hinges

Ball Bearing-Heavy Weight - Non-Removable Pin
 4.5" x 4.5", 5" x 4.5", 5" x 5"



Part #	Size	Gauge	Finishes
BB0168 NRP	4.5" x 4.5" 5" x 4.5" 5" x 5"	.180	USP* US3* US4* US10* US10A* US15*
BB0199 NRP (non-ferrous)	4.5" x 4.5" 5" x 4.5" 5" x 5"	.180	US26* US26D US32D

*: Offered in 4.5" x 4.5" only.

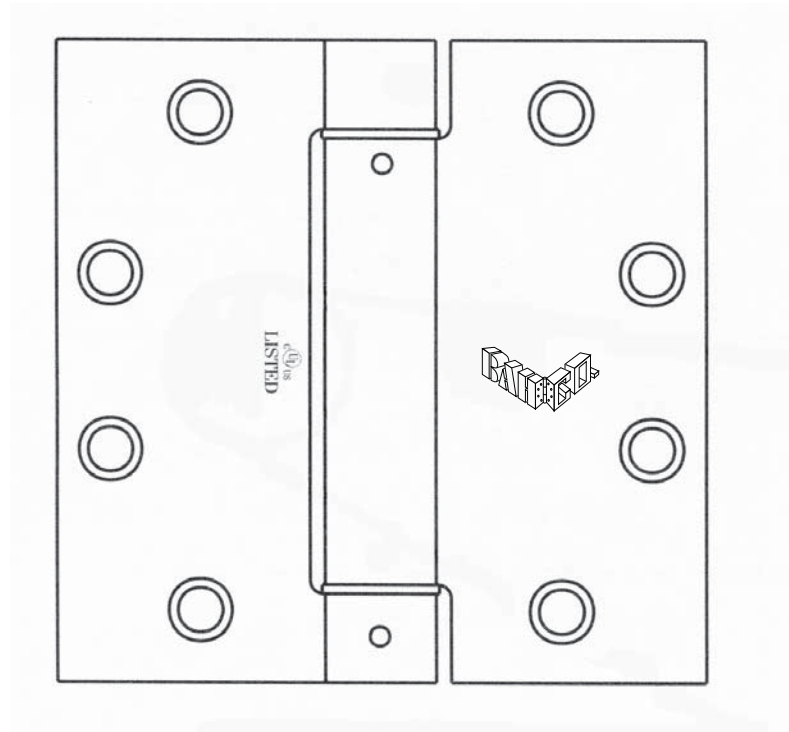


PRODUCT DATA

Full Mortise Template Hinges

Spring Hinge-Standard Weight

4.5" x 4.5"



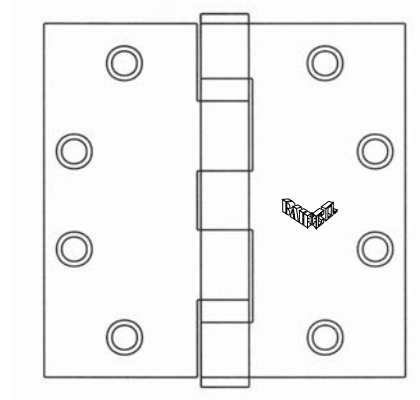
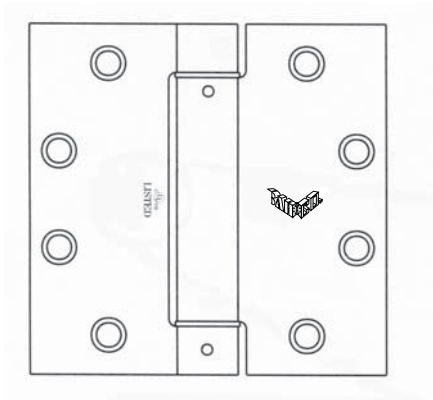
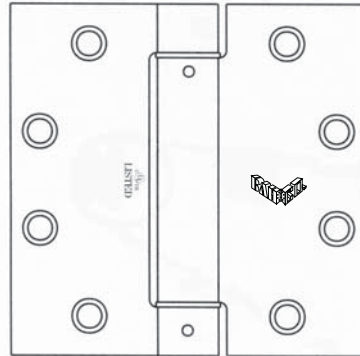
Part #	Size	Gauge	Finishes
SH02060	4.5" x 4.5"	.134	USP US3 US4 US10 US10A US15 US26 US26D US32D



PRODUCT DATA

Full Mortise Template Hinges

Spring Hinge & Ball Bearing-Standard Weight Combo Pack
4.5" x 4.5"



Part #s	Size	Gauge	Finishes
(2) SH02060 (1) BB0179	4.5" x 4.5"	.134	USP US3 US4 US10 US10A US15 US26 US26D US32D



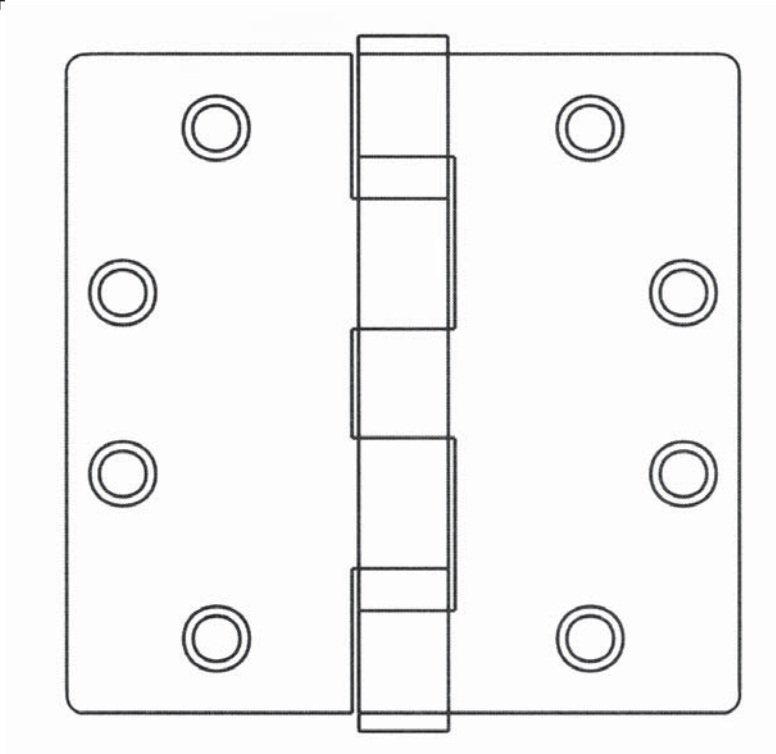
PRODUCT DATA

Full Mortise Template Hinges

Ball Bearing-Standard Weight - Non-Removable Pin

Radius Corner

4.5" x 4"



Part #	Size	Gauge	Finishes
BB0191RC NRP	4.5" x 4"	.134	Duro US26D US32D

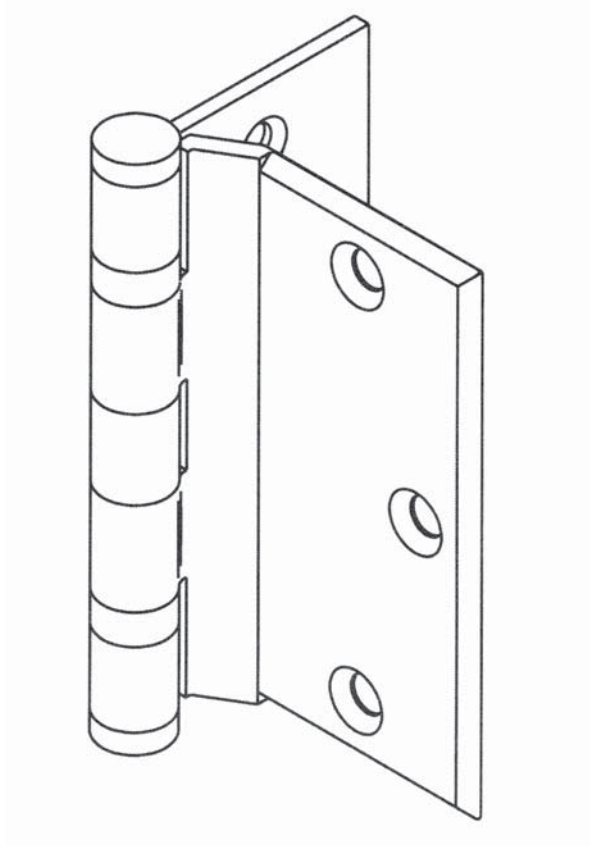
**: Zero Swage Hinges Available*



PRODUCT DATA

Half Surface Template Hinges

Ball Bearing-Standard Weight - Non-Removable Pin
4.5" x 4-3/4"



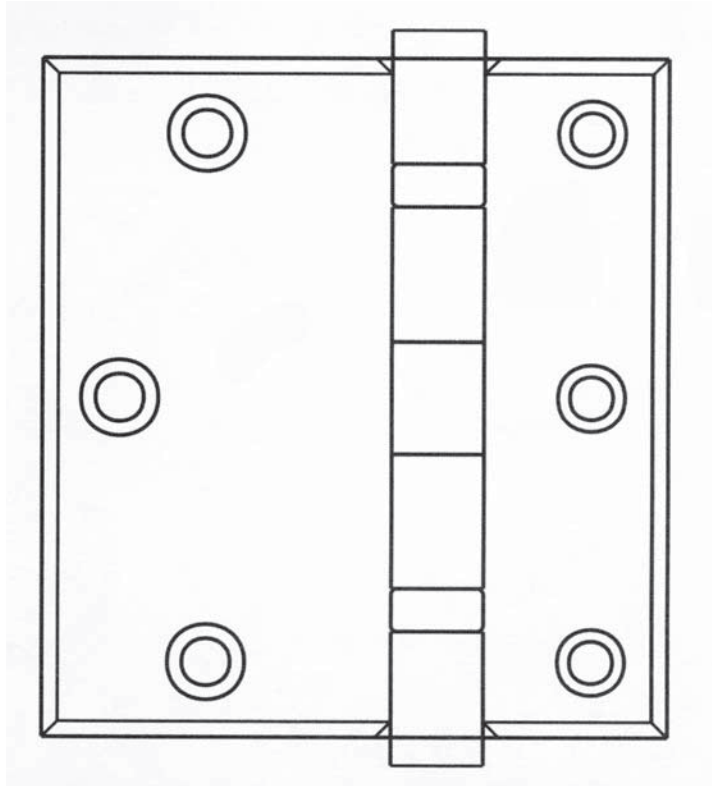
Part #	Size	Gauge	Finishes
BB0173	4.5" x 4-3/4"	.134	USP US26D



PRODUCT DATA

Full Surface Template Hinges

Ball Bearing-Standard Weight - Non-Removable Pin
4.5" x 4.05"



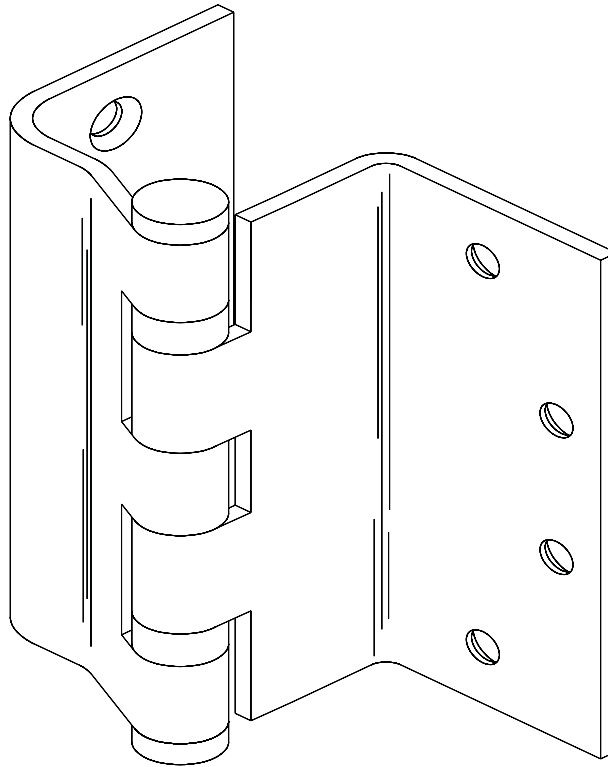
Part #	Size	Gauge	Finishes
BB0171	4.5" x 4.05"	.134	USP US26D



PRODUCT DATA

Swing Clear Template Hinges

Ball Bearing-Standard Weight - Non-Removable Pin
4.5" x 6.5"



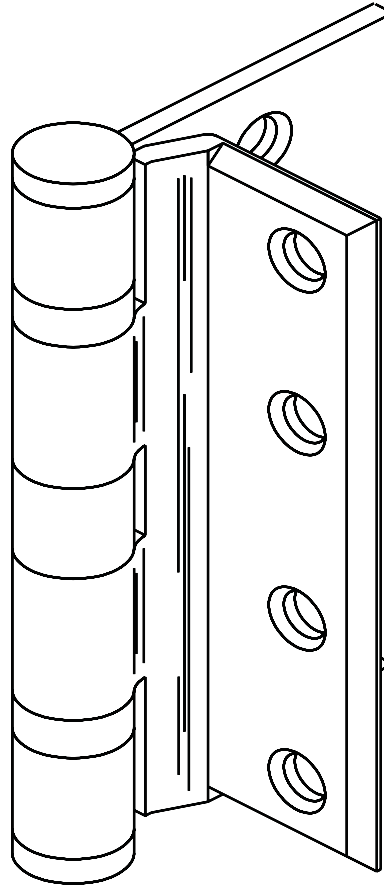
Part #	Size	Gauge	Finishes
BB0261	4.5" x 6.5"	.134	US26D



PRODUCT DATA

Half Mortise Template Hinges

Ball Bearing-Standard Weight - Non-Removable Pin
4.5" x 3-9/16"



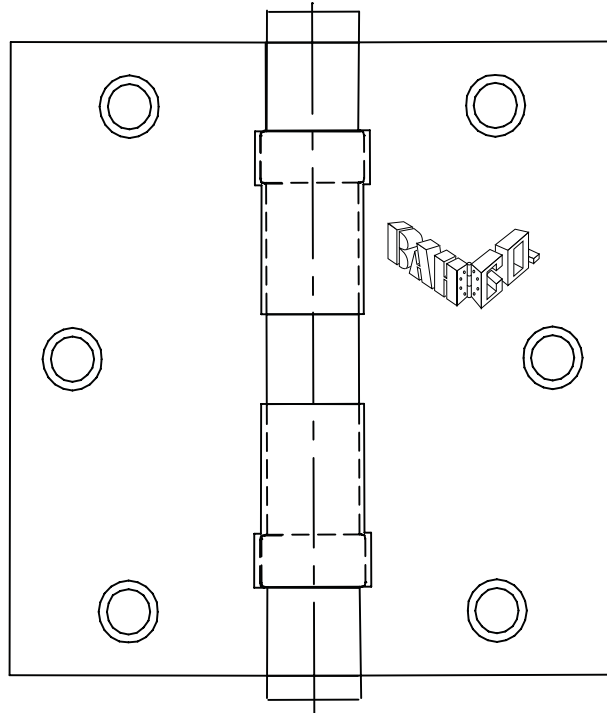
Part #	Size	Gauge	Finishes
BB0129 NRP	4.5" x 3-9/16"	.134	USP US26D



PRODUCT DATA

Full Mortise Template Hinges

Ball Bearing-Standard Weight
3.5" x 3.5"



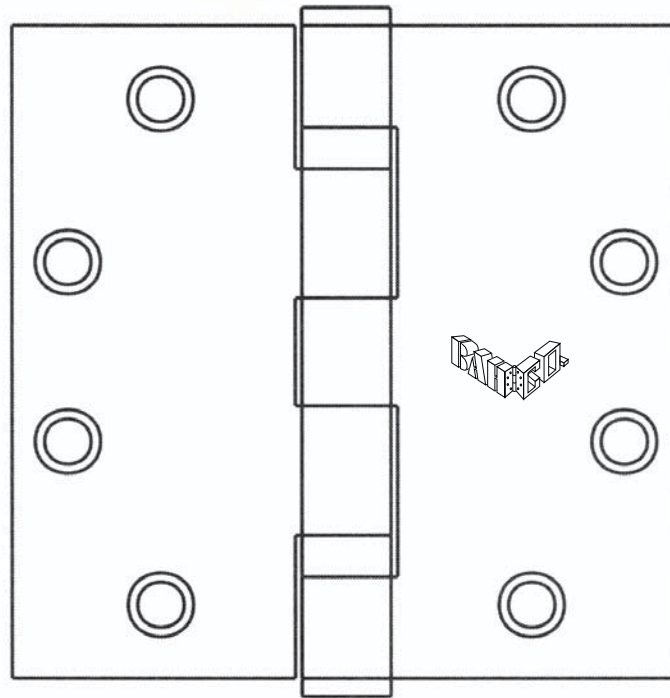
Part #	Size	Gauge	Finishes
BB0179	3.5" x 3.5"	.134	US26D



PRODUCT DATA

Full Mortise Template Hinges

Ball Bearing-Standard Weight
4" x 4"



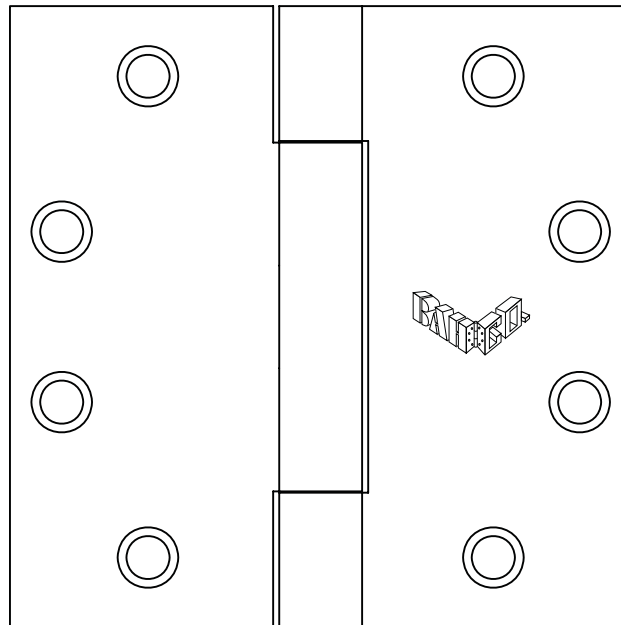
Part #	Size	Gauge	Finishes
BB0179	4" x 4"	.134	US26D



PRODUCT DATA

Full Mortise Template Hinges

Concealed Bearing-Standard Weight
4.5" x 4.5"



Part #	Size	Gauge	Finishes
CB0900	4.5" x 4.5"	.134	US26D
CB0191*	4.5" x 4.5"	.134	US32D*

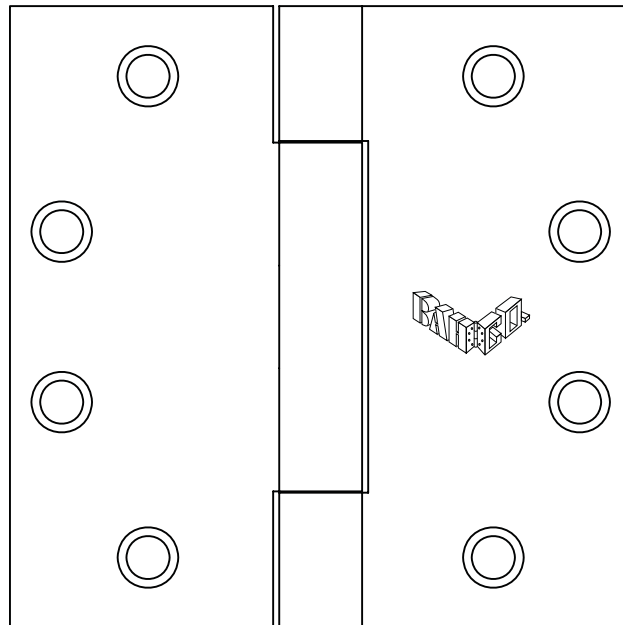
*: Offered in stainless base material.



PRODUCT DATA

Full Mortise Template Hinges

Concealed Bearing-Heavy Weight
4.5" x 4.5"



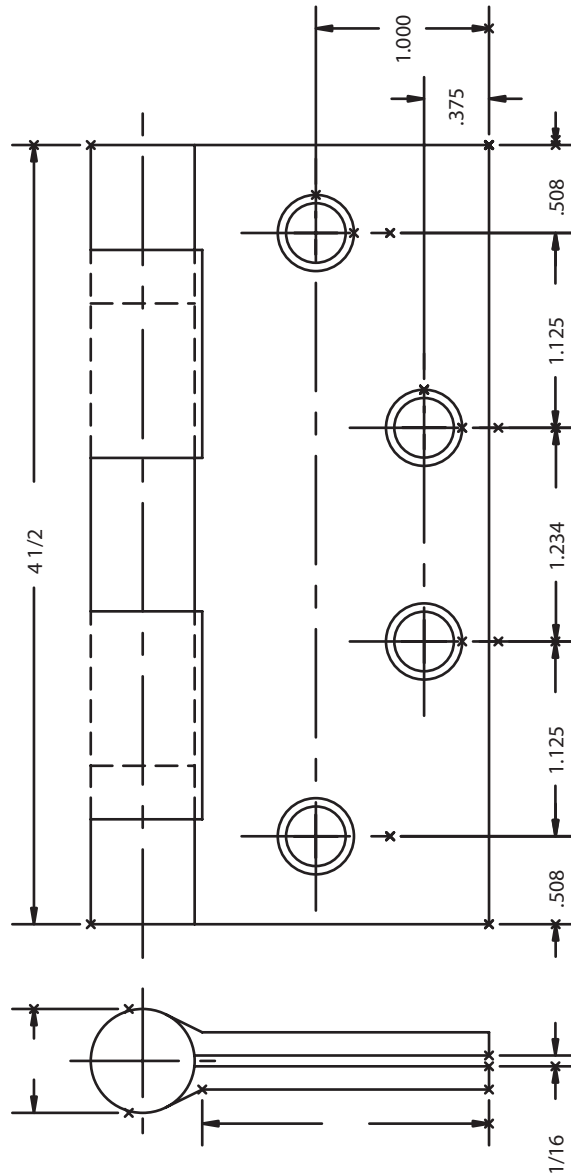
Part #	Size	Gauge	Finishes
CB0950	4.5" x 4.5"	.180	US26D
CB0199*	4.5" x 4.5"	.180	US32D*



TEMPLATE

Full Mortise Template Hinges

Plain Bearing-Standard Weight
4.5" x 4.5"



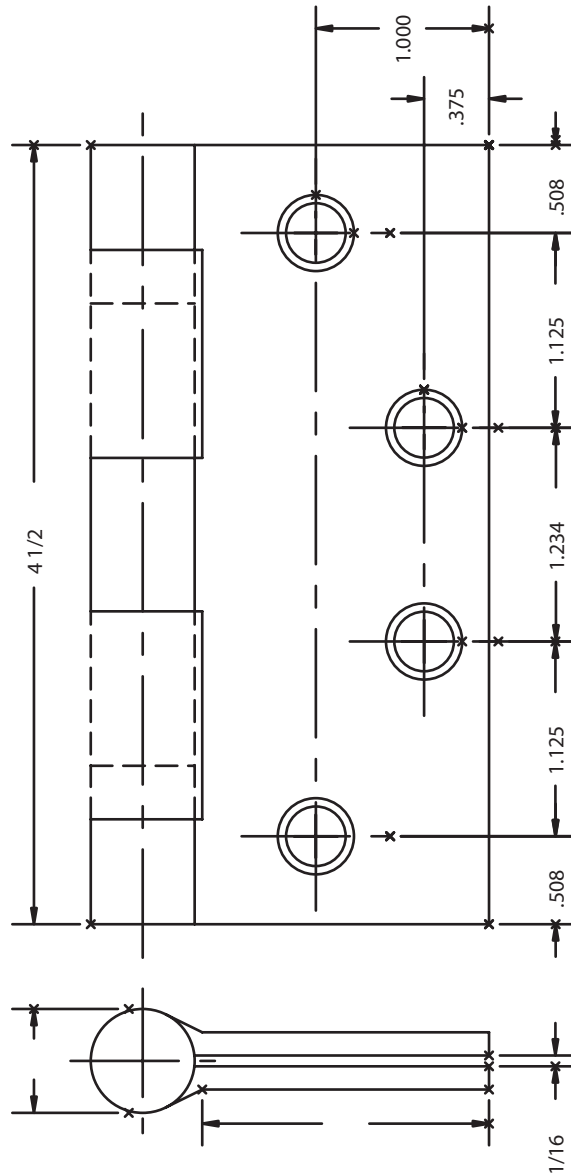
Please Do Not Scale



TEMPLATE

Full Mortise Template Hinges

Ball Bearing-Standard Weight, Including Non-Ferrous
4.5" x 4.5", 4.5" x 4"



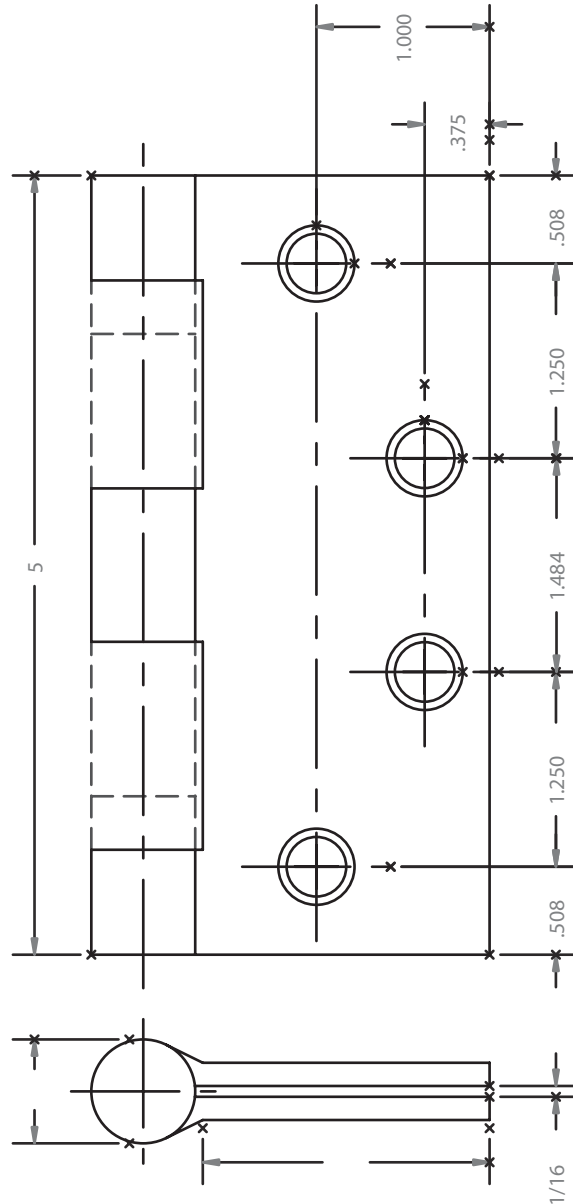
Please Do Not Scale



TEMPLATE

Full Mortise Template Hinges

Ball Bearing-Standard Weight, Including Non-Ferrous
5" x 4.5", 5" x 5"



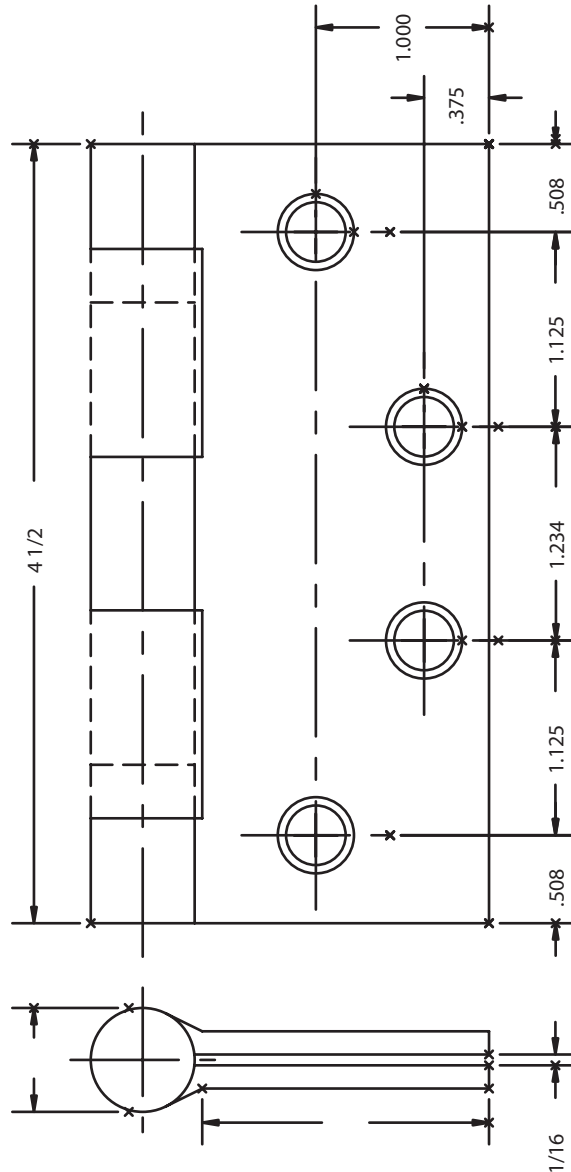
Please Do Not Scale



TEMPLATE

Full Mortise Template Hinges

Ball Bearing-Heavy Weight, Including Non-Ferrous
4.5" x 4.5", 4.5" x 4"



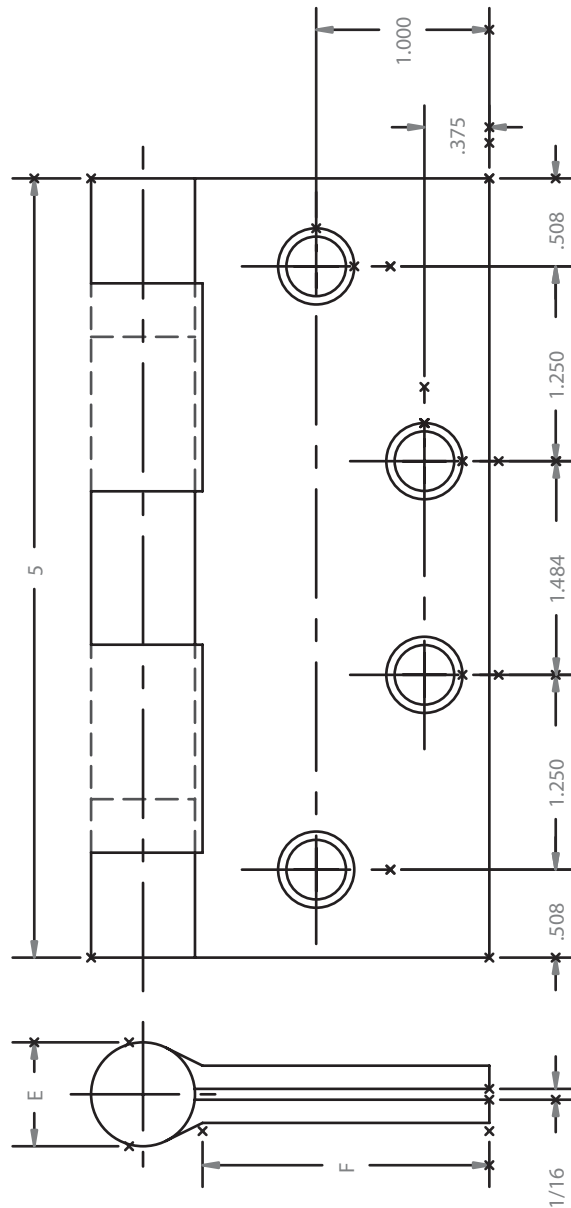
Please Do Not Scale



TEMPLATE

Full Mortise Template Hinges

Ball Bearing-Heavy Weight, Including Non-Ferrous
5" x 4.5", 5" x 5"



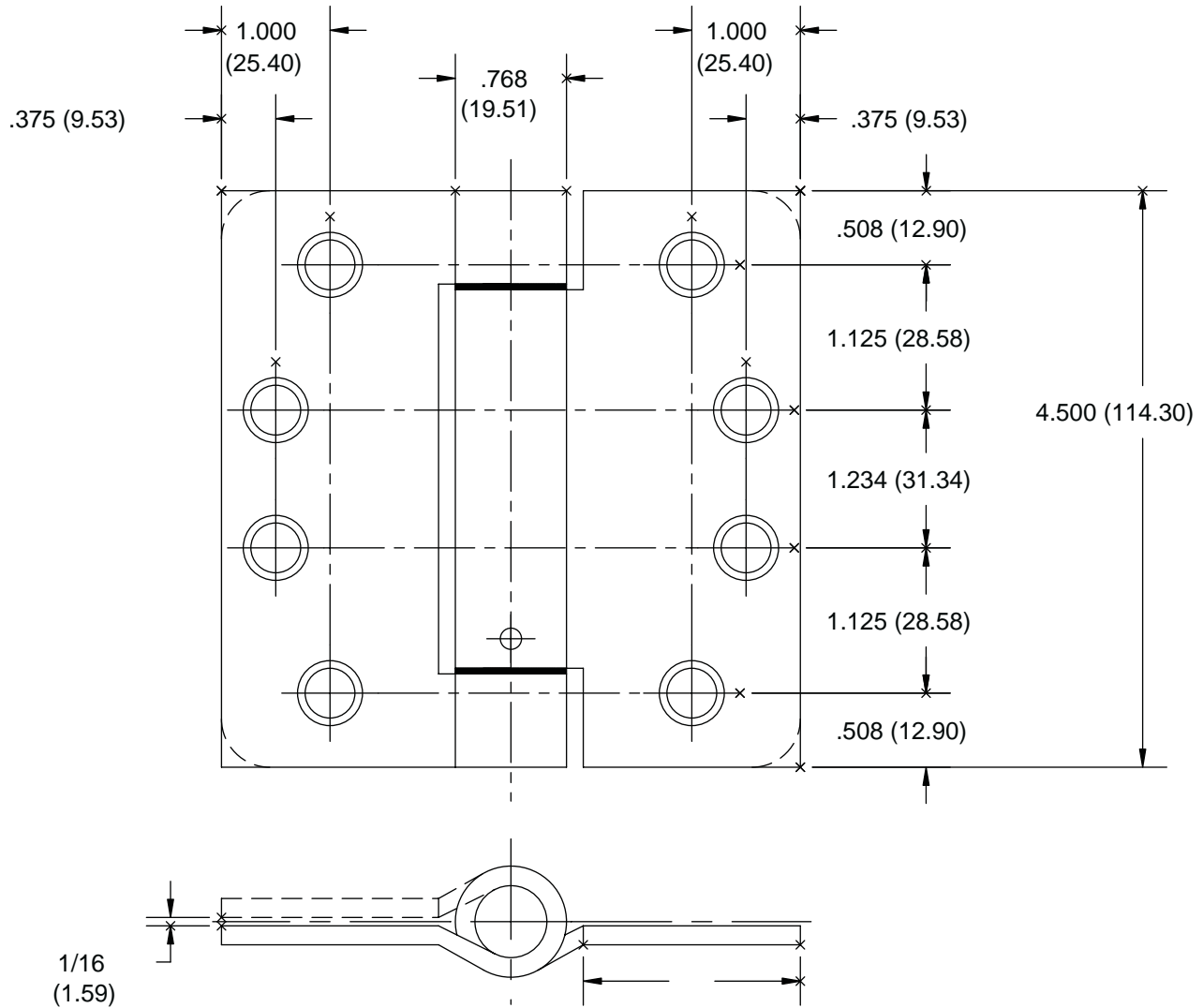
Please Do Not Scale



TEMPLATE

Full Mortise Template Hinges

Spring Hinge-Standard Weight, Including Non-Ferrous
4.5" x 4.5"



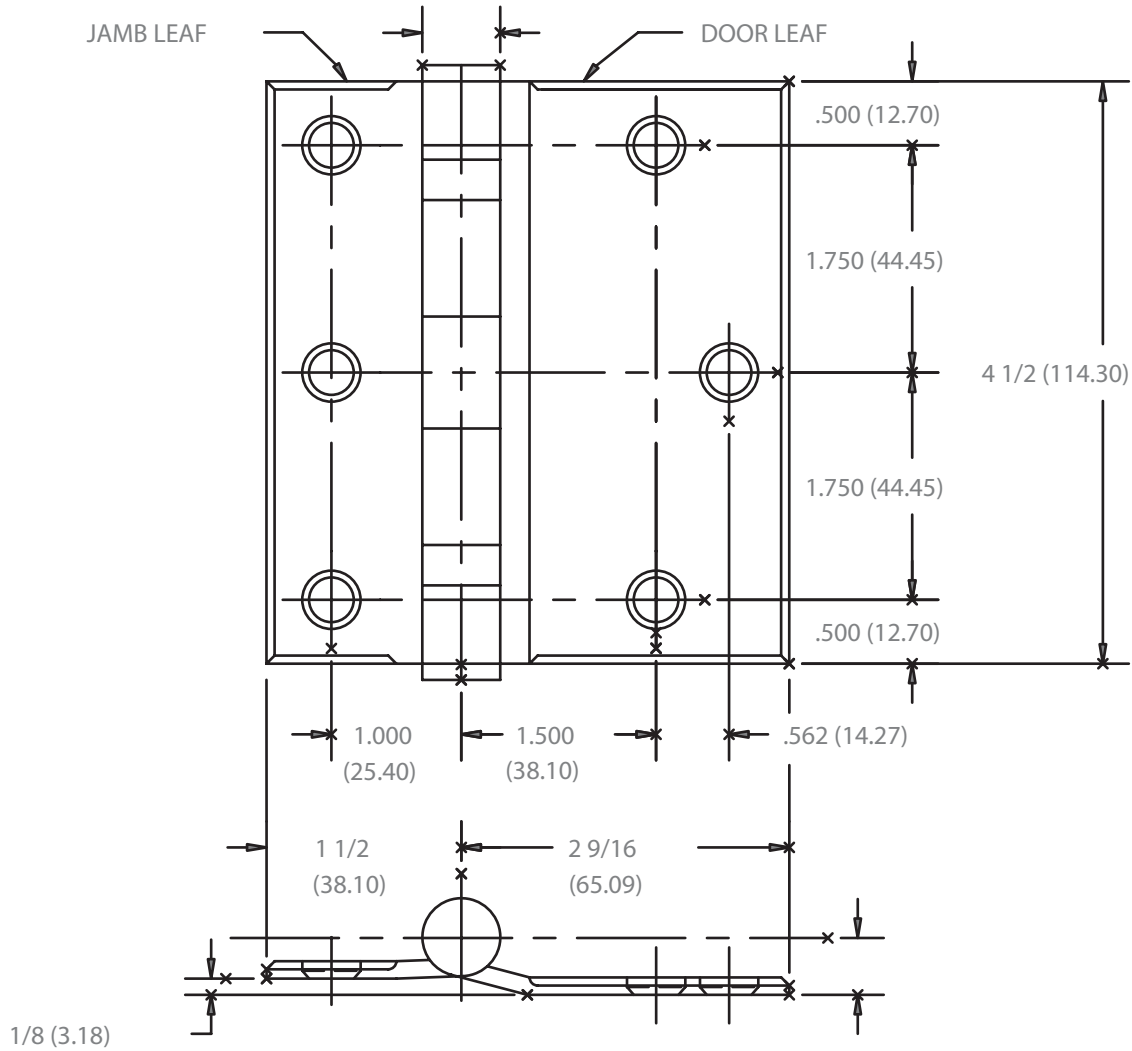
Please Do Not Scale



TEMPLATE

Full Surface Template Hinges

Ball Bearing-Standard Weight
4.5"



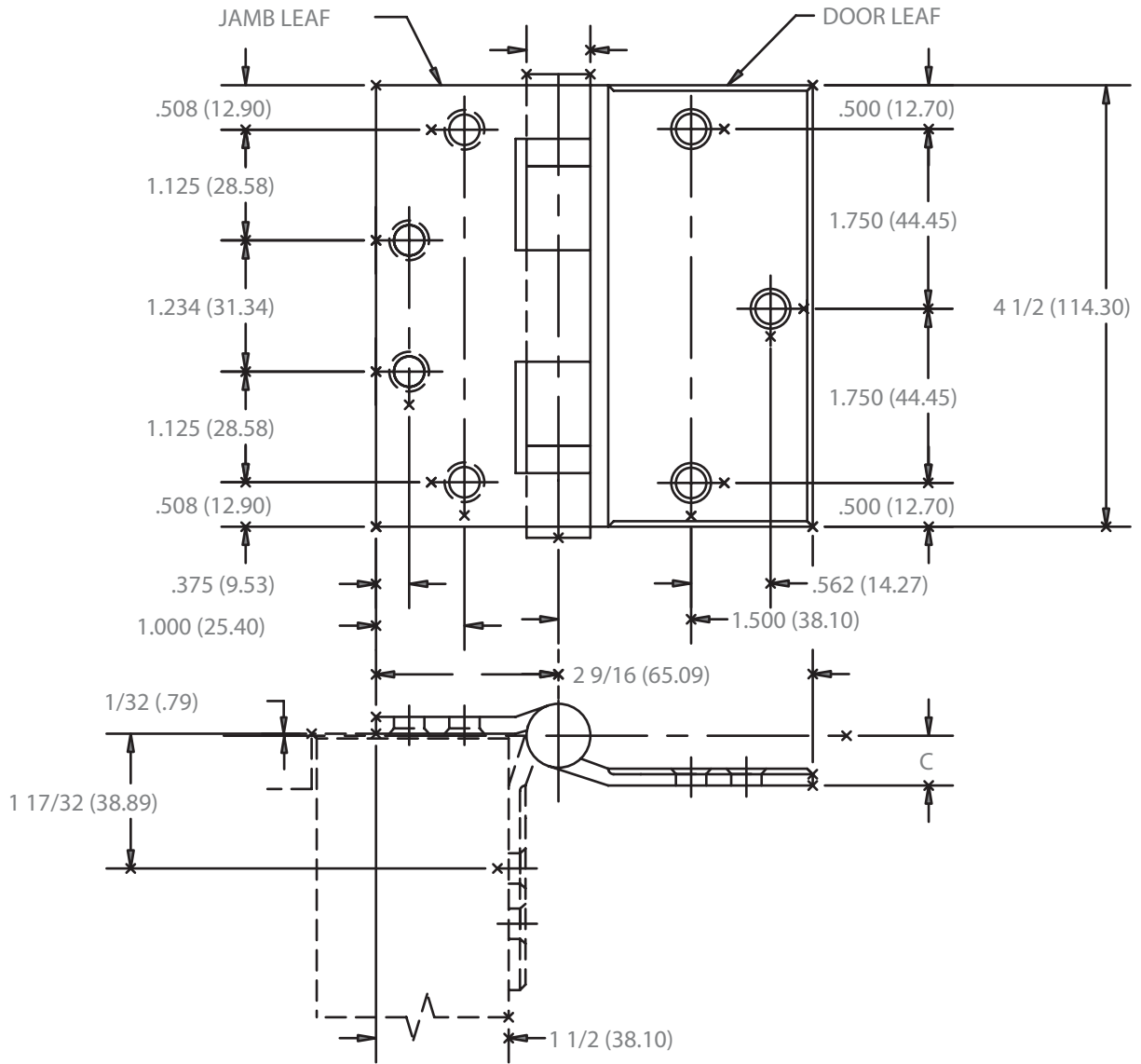
Please Do Not Scale



TEMPLATE

Half Surface Template Hinges

Ball Bearing-Standard Weight
4.5"



Please Do Not Scale

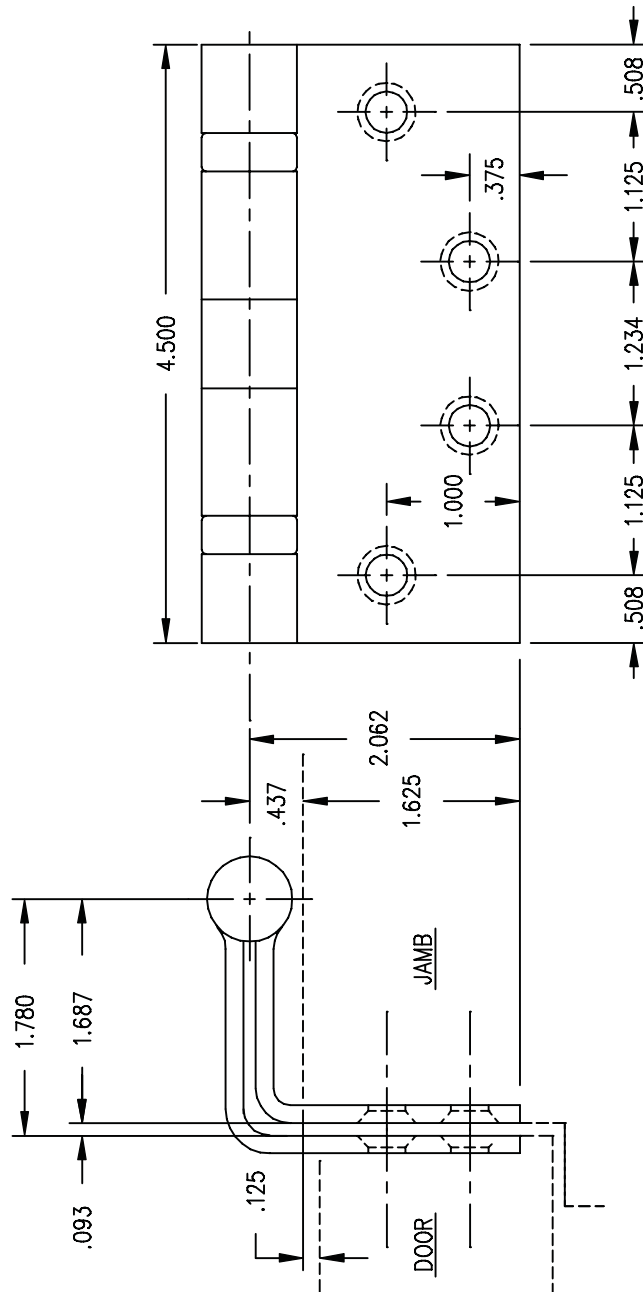


TEMPLATE

Swing Clear Template Hinges

Ball Bearing-Standard Weight

4.5" x 6.5"



Please Do Not Scale

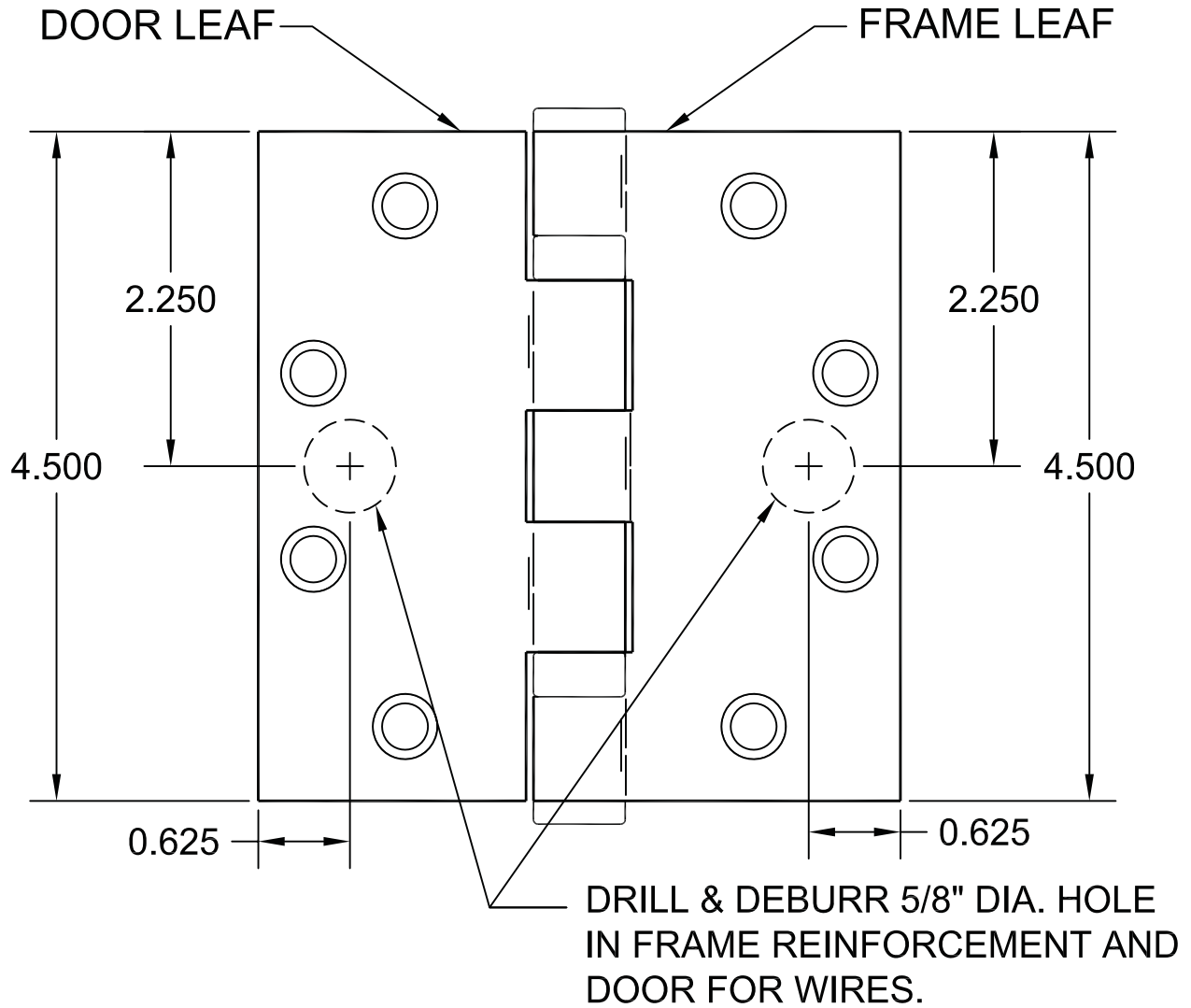


TEMPLATE

Full Mortise Template Electrified Hinges

Ball Bearing-Standard/Heavy Weight

4.5" x 4.5"



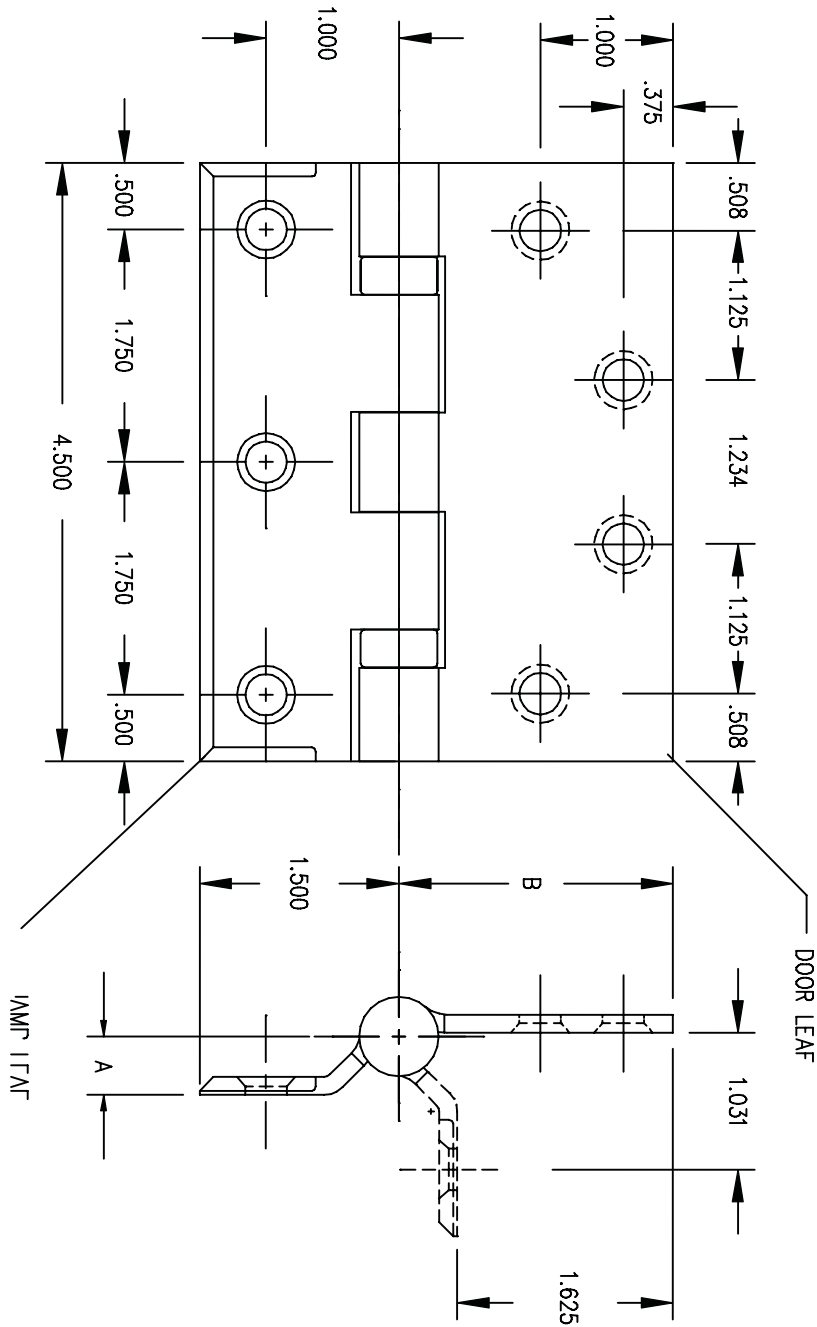
Please Do Not Scale



TEMPLATE

Half Mortise Template Hinges

Ball Bearing-Standard Weight
4.5"



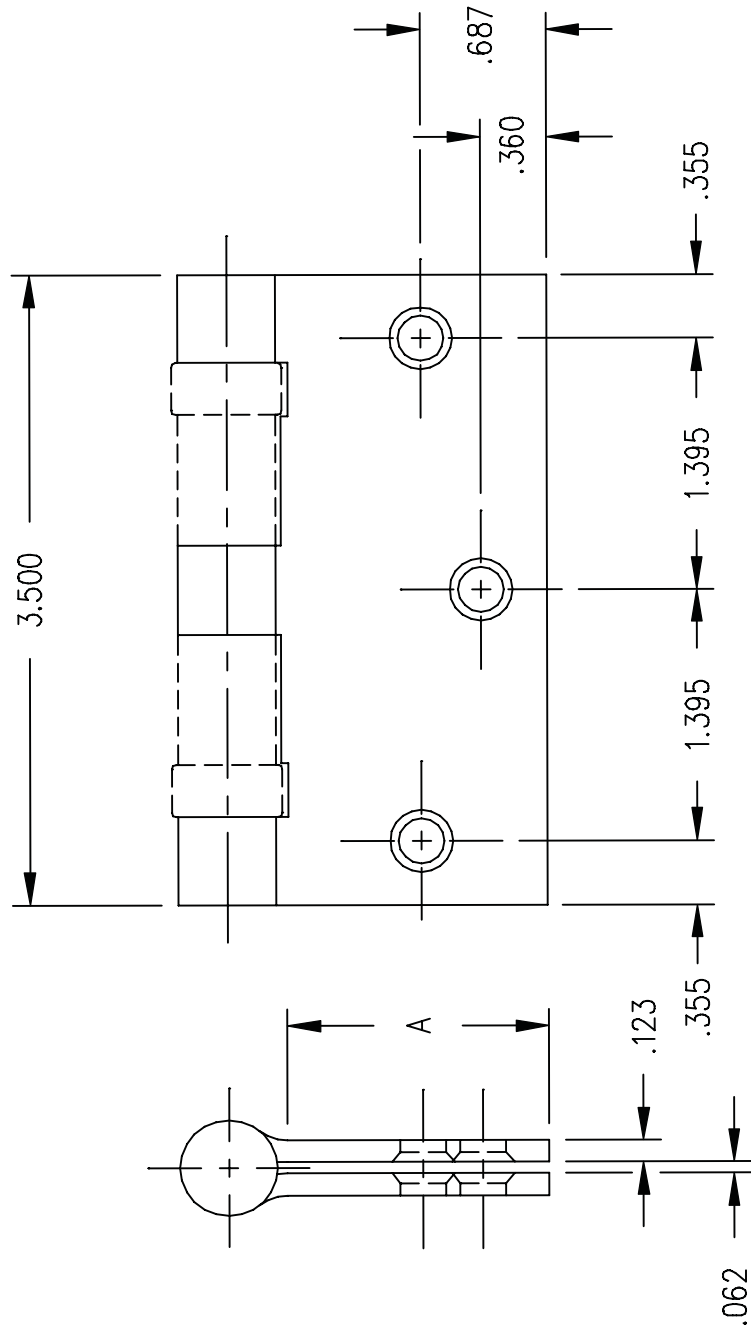
Please Do Not Scale



PRODUCT DATA

Full Mortise Template Hinges

Ball Bearing-Standard Weight
3.5" x 3.5"



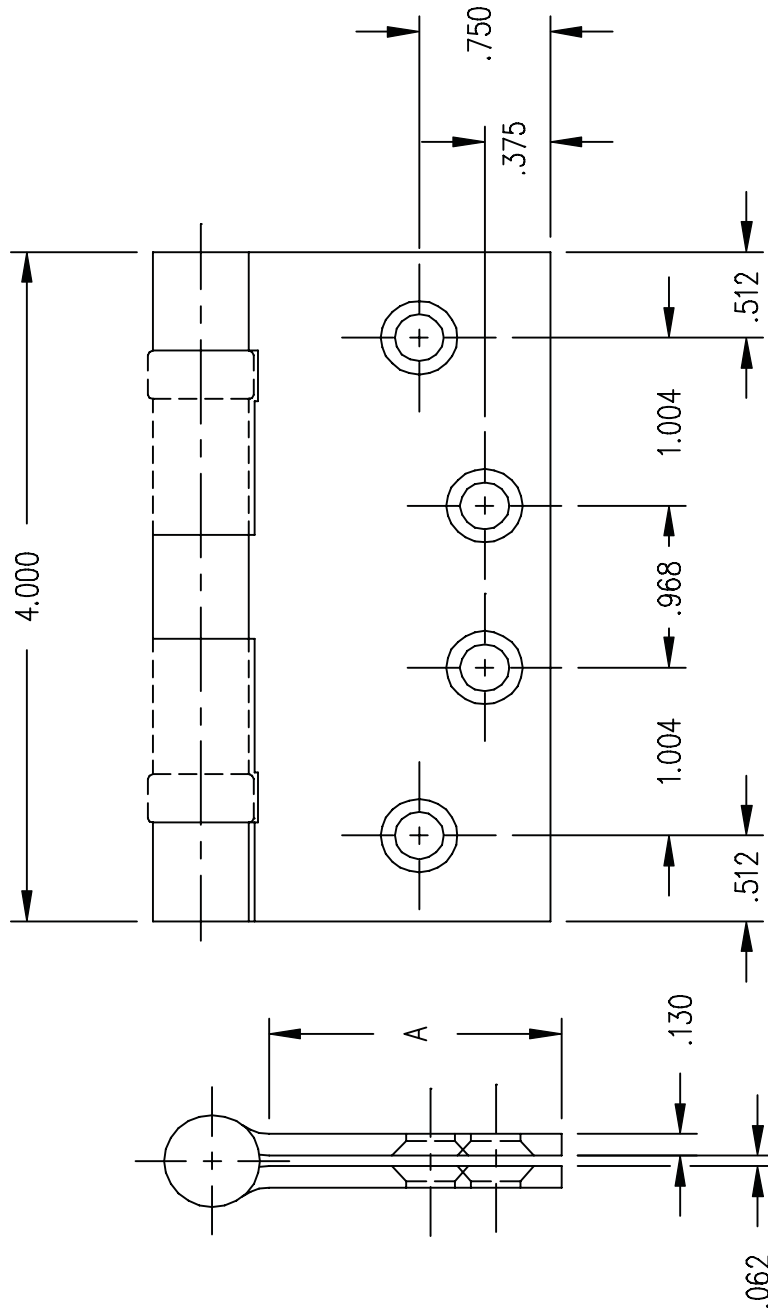
Please Do Not Scale



PRODUCT DATA

Full Mortise Template Hinges

Ball Bearing-Standard Weight
4" x 4"



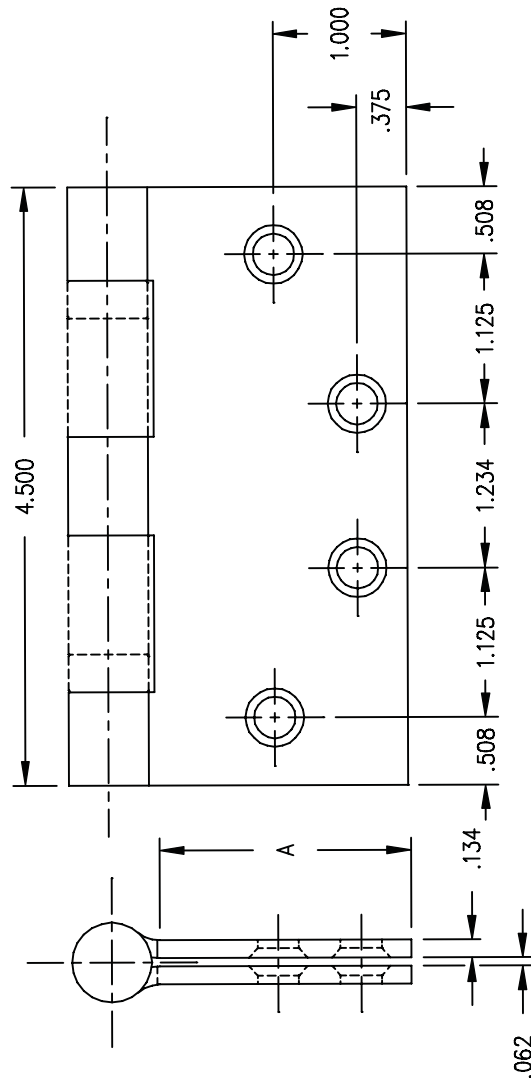
Please Do Not Scale



PRODUCT DATA

Full Mortise Template Hinges

Concealed Bearing-Standard Weight
4.5" x 4.5"



Please Do Not Scale

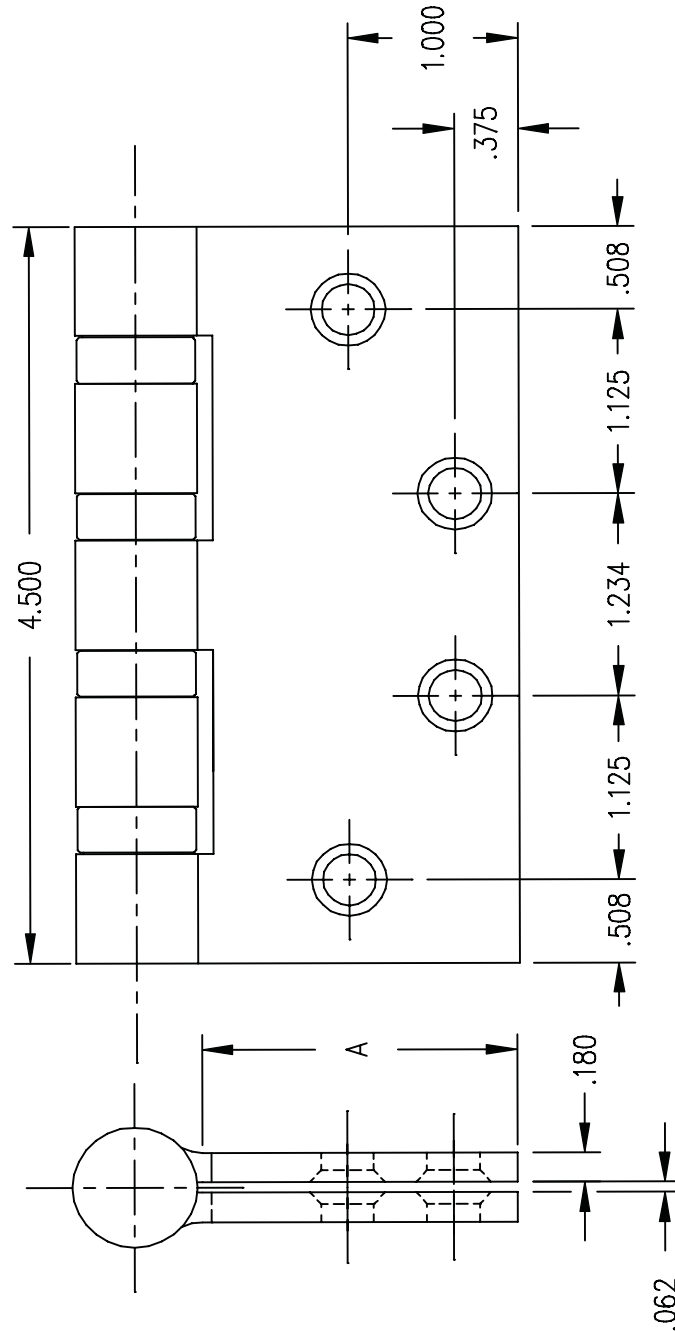


PRODUCT DATA

Full Mortise Template Hinges

Concealed Bearing-Heavy Weight

4.5" x 4.5"



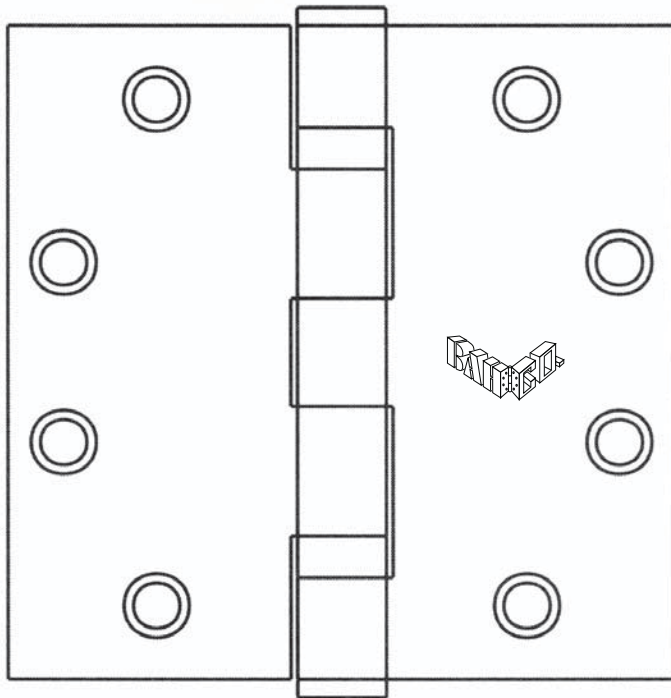
Please Do Not Scale



Five Knuckle Full Mortise Hinges Standard Weight Ball Bearing

BB0179 (ANSI A8112) Steel base polished and plated or furnished in prime or powder coat finish.

BB0191 (ANSI A5112) Stainless steel base polished and plated or furnished in prime coat finish.



Available Options:

- .NRP (non-removable pin)
- .RC (round corner 1/4" radius)
- .HT (hospital tip)
- .SSF (safety stud feature)
- .ETW (electric through wire)

Packing:

All standard weight full mortise hinges are packed with all machine X all wood screws. Screws are packed per hinge.

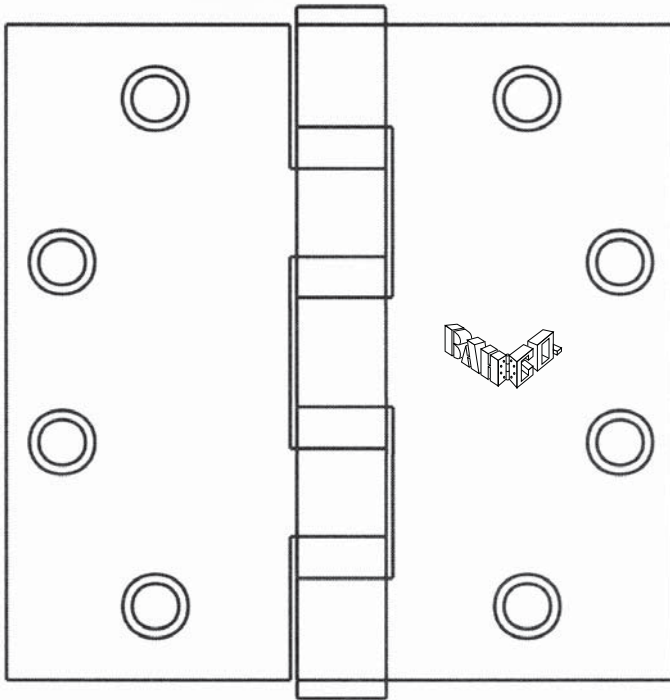
Size Available	Gauge	Flat screws		Quantity	
		Machine	Wood	Box	Case
3.5" x 3.5	.134"	10-24x0.5(6)	12x1.25	3 EA.	48EA.
4" x 4"	.134"	12-24x0.5(8)	12x1.25	3 EA.	48EA.
4.5" x 4"	.134"	12-24x0.5(8)	12x1.25	3 EA.	48EA.
4.5" x 4.5"	.134"	12-24x0.5(8)	12x1.25	3 EA.	48EA.
5" x 4.5"	.134"	12-24x0.5(8)	12x1.25	3 EA.	48EA.
5" x 5"	.134"	12-24x0.5(8)	12x1.25	3 EA.	48EA.



Five Knuckle Full Mortise Hinges Heavy Weight Ball Bearing

BB0168 (ANSI A8111) Steel base polished and plated or furnished in prime or powder coat finish.

BB0199 (ANSI A5111) Stainless steel base polished and plated or furnished in prime coat finish.



Available Options:

- .NRP (non-removable pin)
- .RC (round corner 1/4" radius)
- .HT (hospital tip)
- .SSF (safety stud feature)
- .ETW (electric through wire)

Packing:

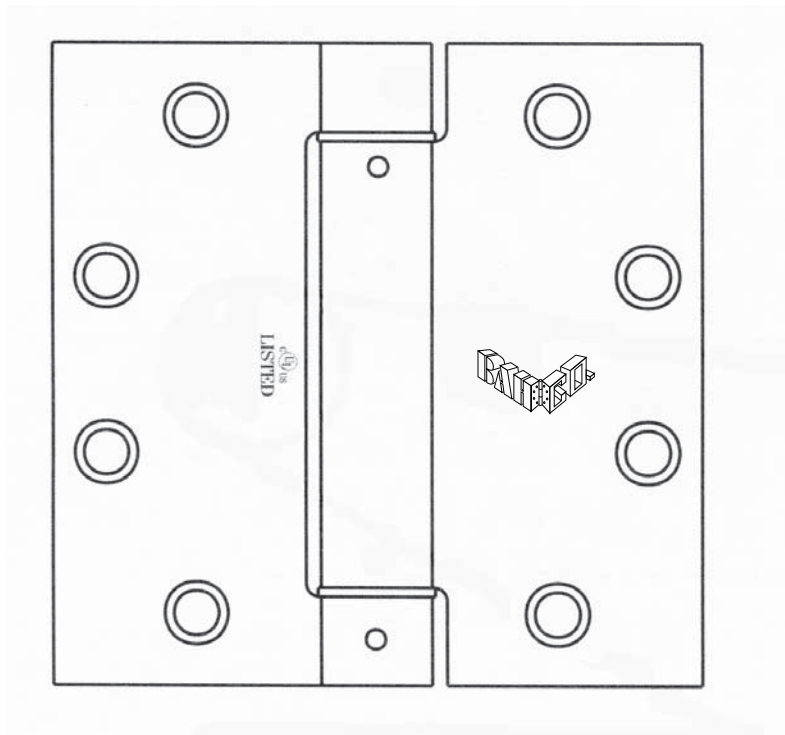
All heavy weight full mortise hinges are packed with all machine X all wood screws. Screws are packed per hinge.

Size Available	Gauge	Flat screws		Quantity	
		Machine	Wood	Box	Case
4.5" x 4.5"	.180"	12-24x0.5(8)	12x1.25	3 EA.	48EA.
5" x 4.5"	.180"	12-24x0.5(8)	12x1.25	3 EA.	48EA.
5" x 5"	.180"	12-24x0.5(8)	12x1.25	3 EA.	48EA.



Three Knuckle Full Mortise Hinges Standard Weight Spring Hinges

SH02060 (ANSI K8107-1F) Steel and stainless steel base polished and plated or furnished in prime or powder coat finish.



Packing:

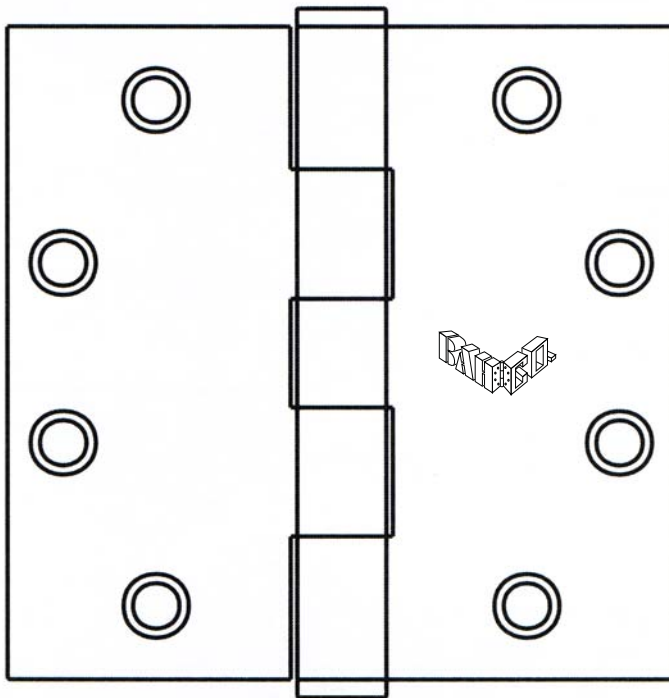
All standard weight full mortise hinges are packed with all machine X 1/2 wood screws. Screws are packed per hinge.

Size Available	Gauge	Flat screws		Quantity	
		Machine	Wood	Box	Case
4.5" x 4.5"	.134"	12-24x0.5(8)	12x1.25	3 EA.	48EA.



Five Knuckle Full Mortise Hinges Standard Weight Plain Bearing

PB0179 (ANSI A8133) Steel base polished and plated or furnished in prime or powder coat finish.



Available Options:

- .NRP (non-removable pin)
- .RC (round corner 1/4" radius)
- .HT (hospital tip)
- .SSF (safety stud feature)
- .ETW (electric through wire)

Packing:

All standard weight full mortise hinges are packed with all machine X all wood screws. Screws are packed per hinge.

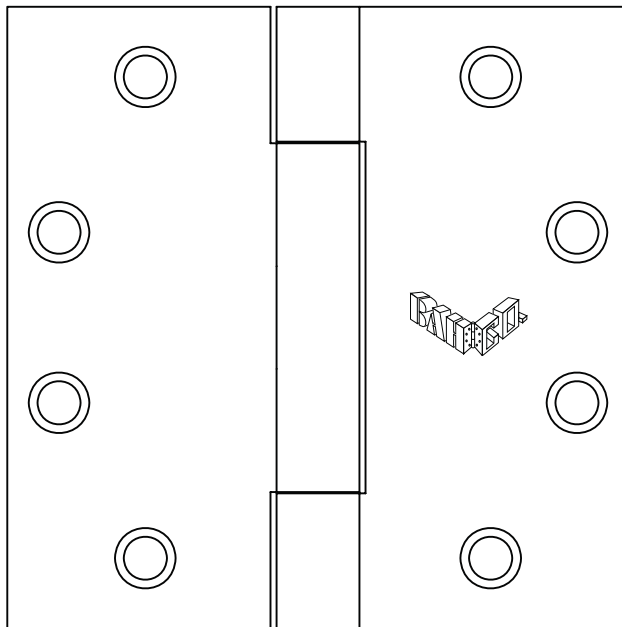
Size Available	Gauge	Flat screws		Quantity	
		Machine	Wood	Box	Case
4.5" x 4.5"	.134"	12-24x0.5(8)	12x1.25	3 EA.	48EA.



Three Knuckle Full Mortise Hinges Standard Weight Concealed Bearing

CB0900 (ANSI A8112) Steel base polished and plated or furnished in prime or powder coat finish.

CB0191 (ANSI A5112) Stainless steel base polished and plated or furnished in prime coat finish.



Available Options:

- .NRP (non-removable pin)
- .RC (round corner 1/4" radius)
- .HT (hospital tip)
- .SSF (safety stud feature)
- .ETW (electric through wire)

Packing:

All standard weight full mortise hinges are packed with all machine X all wood screws. Screws are packed per hinge.

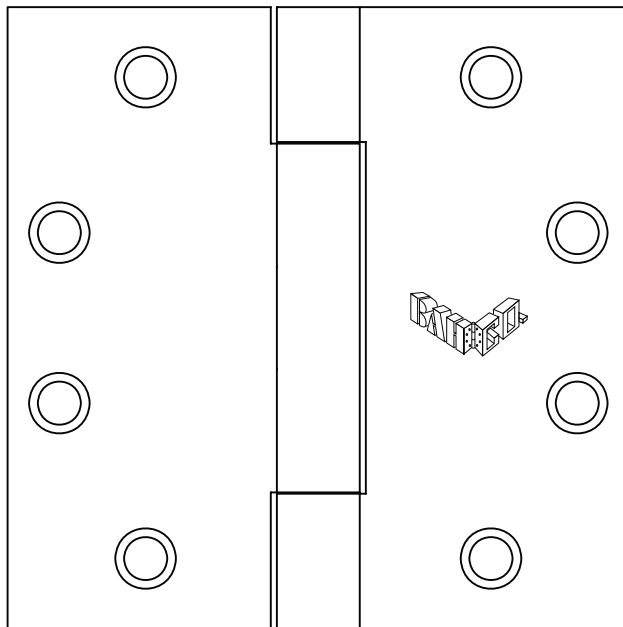
Size Available	Gauge	Flat screws		Quantity	
		Machine	Wood	Box	Case
4.5" x 4.5"	.134"	12-24x0.5(8)	12x1.25	3 EA.	48EA.
5" x 4.5"	.134"	12-24x0.5(8)	12x1.25	3 EA.	48EA.
5" x 5"	.134"	12-24x0.5(8)	12x1.25	3 EA.	48EA.



Three Knuckle Full Mortise Hinges Heavy Weight Concealed Bearing

CB0950 (ANSI A8111) Steel base polished and plated or furnished in prime or powder coat finish.

CB0199 (ANSI A5111) Stainless steel base polished and plated or furnished in prime coat finish.



Available Options:

- .NRP (non-removable pin)
- .RC (round corner 1/4" radius)
- .HT (hospital tip)
- .SSF (safety stud feature)
- .ETW (electric through wire)

Packing:

All standard weight full mortise hinges are packed with all machine X all wood screws. Screws are packed per hinge.

Size Available	Gauge	Flat screws		Quantity	
		Machine	Wood	Box	Case
4.5" x 4.5"	.180"	12-24x0.5(8)	12x1.25	3 EA.	48EA.
5" x 4.5"	.180"	12-24x0.5(8)	12x1.25	3 EA.	48EA.
5" x 5"	.180"	12-24x0.5(8)	12x1.25	3 EA.	48EA.



BOSTON ARCHITECTURAL HINGE CO. PRICE LIST

Item	Size	Finish	NRP	List Price
PB0179	4.5" x 4.5"	USP		\$3.74
		US3		\$4.48
		US4		\$3.86
		US10		\$3.96
		US10A		\$3.96
		US15		\$4.28
		US26		\$4.48
		US26D		\$3.88

www.bahcohinge.com



BOSTON ARCHITECTURAL HINGE CO. PRICE LIST

Item	Size	Finish	NRP	List Price
BB0179	4.5" x 4.5"	USP		\$3.78
		US3		\$8.14
		US4		\$5.88
		US10		\$5.88
		US10A		\$5.88
		US10B		\$5.88
		US15		\$5.88
		US26		\$8.14
		US26D		\$4.98
BB0179	3.5" x 3.5"	US26D		\$4.58
	4" x 4"	US26D		\$4.60
	4.5" x 4"	US26D		\$4.74

www.bahcohingec.com



BOSTON ARCHITECTURAL HINGE CO. PRICE LIST

Item	Size	Finish	NRP	List Price
BB0179	4.5" x 4.5"	USP	NRP	\$4.32
		US3	NRP	\$8.26
		US4	NRP	\$5.98
		US10	NRP	\$5.98
		US10A	NRP	\$5.98
		US10B	NRP	\$5.98
		US15	NRP	\$5.98
		US26	NRP	\$8.26
		US26D	NRP	\$5.10
BB0179	4.5" x 4"	US26D	NRP	\$4.86
	5" x 4.5"	US26D	NRP	\$6.16
	5" x 5"	US26D	NRP	\$6.44

www.bahcohinge.com



BOSTON ARCHITECTURAL HINGE CO. PRICE LIST

Item	Size	Finish	NRP	List Price
BB0191	4.5" x 4.5"	USP	NRP	\$19.20
		US3	NRP	\$20.84
		US4	NRP	\$19.20
		US10	NRP	\$19.20
		US10A	NRP	\$19.20
		US15	NRP	\$19.20
		US26	NRP	\$20.84
		US26D	NRP	\$19.20
		US32D	NRP	\$15.18
BB0191	5" x 4.5"	US32D	NRP	\$18.86
	5" x 5"	US32D	NRP	\$19.94

www.bahcohinge.com



BOSTON ARCHITECTURAL HINGE CO. PRICE LIST

Item	Size	Finish	NRP	List Price
BB0168	4.5" x 4.5"	USP	NRP	\$15.32
		US3	NRP	\$25.54
		US4	NRP	\$24.18
		US10	NRP	\$24.18
		US10A	NRP	\$24.18
		US15	NRP	\$24.18
		US26	NRP	\$25.54
		US26D	NRP	\$15.32
BB0168	5" x 4.5"	US26D	NRP	\$17.30
	5" x 5"	US26D	NRP	\$17.90

www.bahcohinge.com



BOSTON ARCHITECTURAL HINGE CO. PRICE LIST

Item	Size	Finish	NRP	List Price
BB0199	4.5" x 4.5"	US3	NRP	\$41.00
		US4	NRP	\$37.40
		US10	NRP	\$37.40
		US10A	NRP	\$37.40
		US15	NRP	\$37.40
		US26	NRP	\$41.00
		US32D	NRP	\$27.40
BB0199	5" x 4.5"	US32D	NRP	\$32.66
	5" x 5"	US32D	NRP	\$33.80

www.bahcohinge.com



BOSTON ARCHITECTURAL HINGE CO. PRICE LIST

Item	Size	Finish	NRP	List Price
SH02060	4.5" x 4.5"	USP		\$9.78
		US3		\$17.02
		US4		\$15.42
		US10		\$15.42
		US10A		\$15.42
		US15		\$15.42
		US26		\$17.02
		US26D		\$11.78
		US32D		\$22.90

www.bahcohinge.com



BOSTON ARCHITECTURAL HINGE CO. PRICE LIST

Item	Size	Finish	NRP	List Price
COMBO	4.5" x 4.5"	USP		\$23.86
		US3		\$42.18
		US4		\$36.72
		US10		\$36.72
		US10A		\$36.72
		US15		\$36.72
		US26		\$42.18
		US26D		\$27.02
		US32D		\$60.96

www.bahcohinge.com



BOSTON ARCHITECTURAL HINGE CO. PRICE LIST

Item	Size	Finish	NRP	List Price
BB0171	4.5" x 4.5"	USP		\$17.78
		US26D		\$20.22
		USP	NRP	\$17.88
		US26D	NRP	\$20.32
BB0173	4.5" x 4.5"	USP		\$17.78
		US26D		\$20.22
		USP	NRP	\$17.88
		US26D	NRP	\$20.32
BB0129	4.5" x 4.5"	USP	NRP	\$17.88
		U26D	NRP	\$20.32

www.bahcohinge.com



BOSTON ARCHITECTURAL HINGE CO. PRICE LIST

Item	Size	Finish	NRP	WIRE	List Add
BB0179E4	4.5" x 4.5	US26D	NRP	(4 wire Ele.)	\$157.32
BB0179E6		US26D	NRP	(6 wire Ele.)	\$191.36
BB0179E8		US26D	NRP	(8 wire Ele.)	\$198.46
BB0191E4	4.5" x 4.5	US32D	NRP	(4 wire Ele.)	\$157.32
BB0191E6		US32D	NRP	(6 wire Ele.)	\$191.36
BB0191E8		US32D	NRP	(8 wire Ele.)	\$198.46

www.bahcohinge.com

These 4 wires models are in stock. All other models require 10 working days lead time.



BOSTON ARCHITECTURAL HINGE CO. PRICE LIST

Item	Size	Finish	NRP	WIRE	List Add
BB0168E4	4.5" x 4.5	US26D	NRP	(4 wire Ele.)	\$157.32
BB0168E6		US26D	NRP	(6 wire Ele.)	\$191.36
BB0168E8		US26D	NRP	(8 wire Ele.)	\$198.46
BB0199E4	4.5" x 4.5	US32D	NRP	(4 wire Ele.)	\$157.32
BB0199E6		US32D	NRP	(6 wire Ele.)	\$191.36
BB0199E8		US32D	NRP	(8 wire Ele.)	\$198.46

www.bahcohinge.com

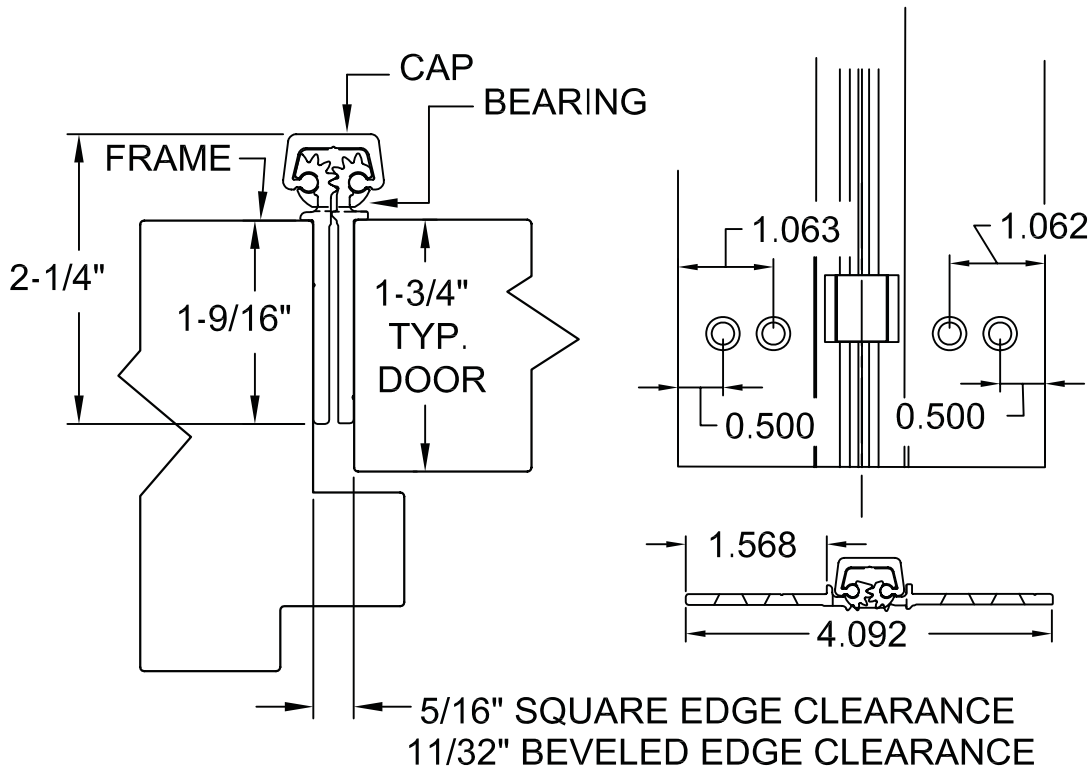
These 4 wires models are in stock. All other models require 10 working days lead time.



PRODUCT DATA

Geared Continuous Hinges

Heavy Duty Full Concealed



Flush mounted (no door inset). Alignment stop on each leaf.

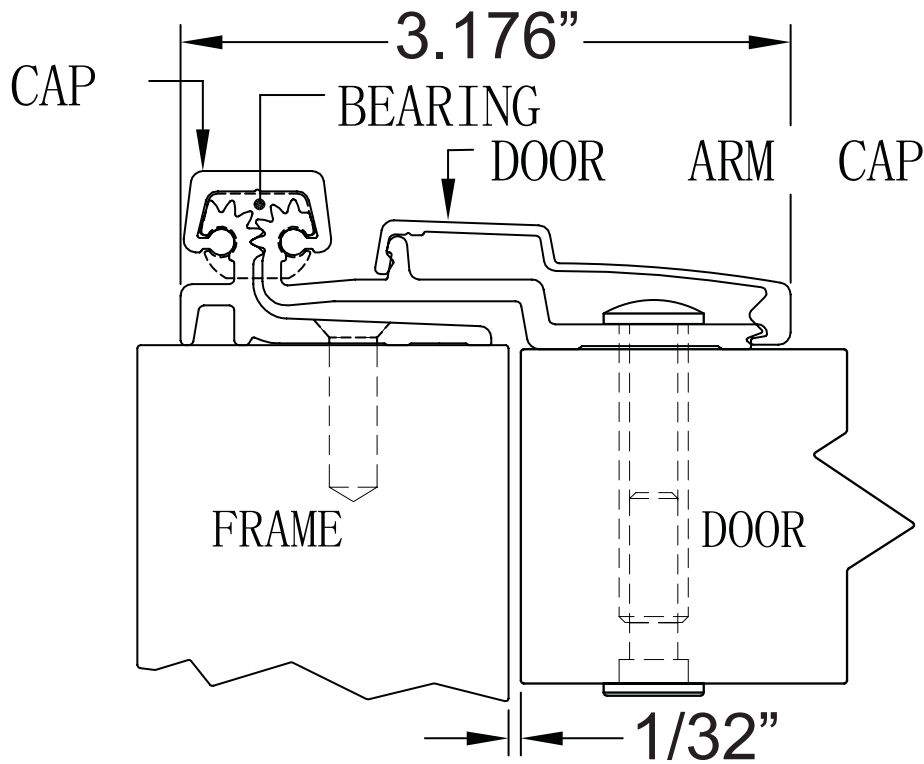
Part #s	Size	Finish
BAH110HD	83" 95"	Clear Bronze



PRODUCT DATA

Geared Continuous Hinges

Heavy Duty Full Surface, Swing Clear For Flush Mounted Door



1/32" door inset. Swing-clear action. Tamper-resistant, removable door leaf cover.

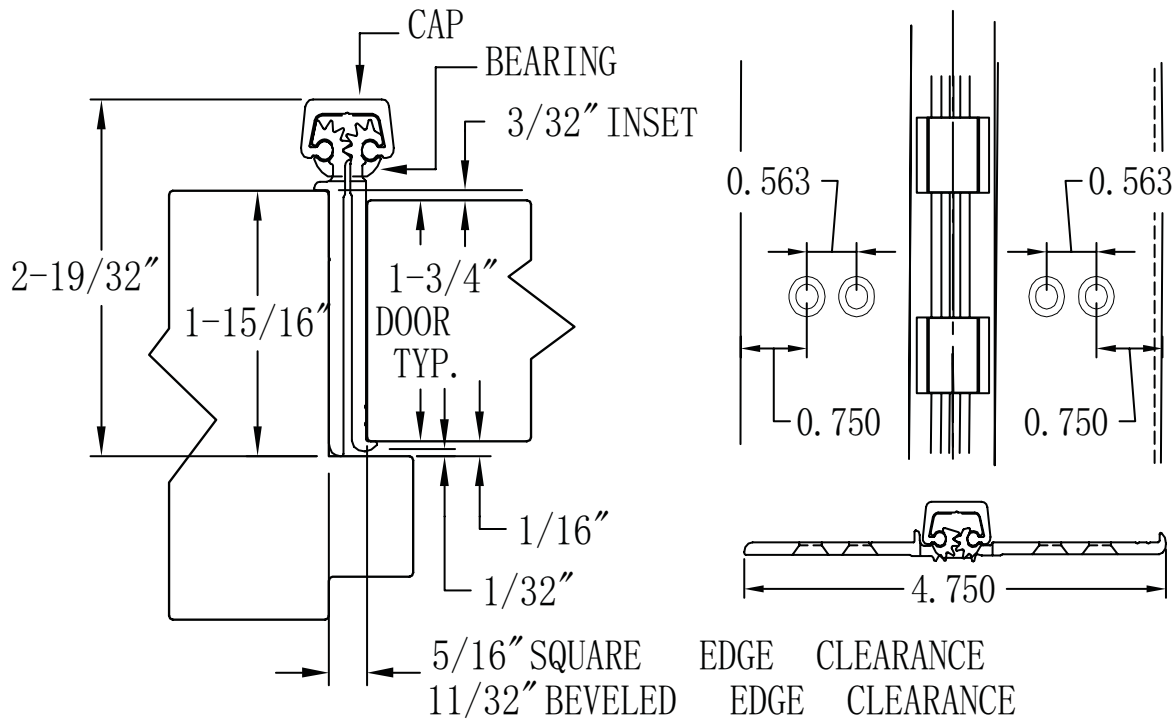
Part #s	Size	Finish
BAH210HD	83" 95"	Clear Bronze



PRODUCT DATA

Geared Continuous Hinges

Heavy Duty Full Concealed, 1/16" Inset



1/16" door inset. Door edge protector. Frame leaf covers butt hinge preps.

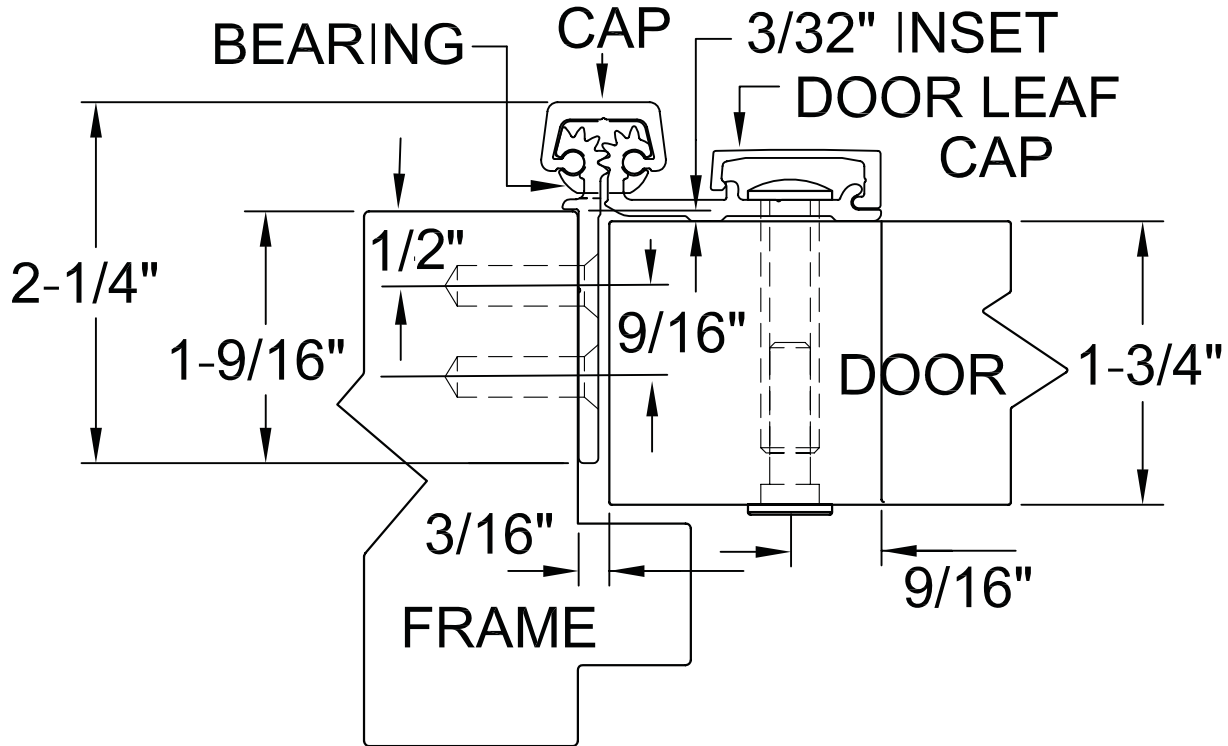
Part #s	Size	Finish
BAH240HD	83" 95"	Clear Bronze



PRODUCT DATA

Geared Continuous Hinges

Heavy Duty Half Surface, Narrow Frame Leaf, 3/32" Inset



3/32" door inset. Narrow frame leaf. Tamper-resistant, removable door leaf cover.

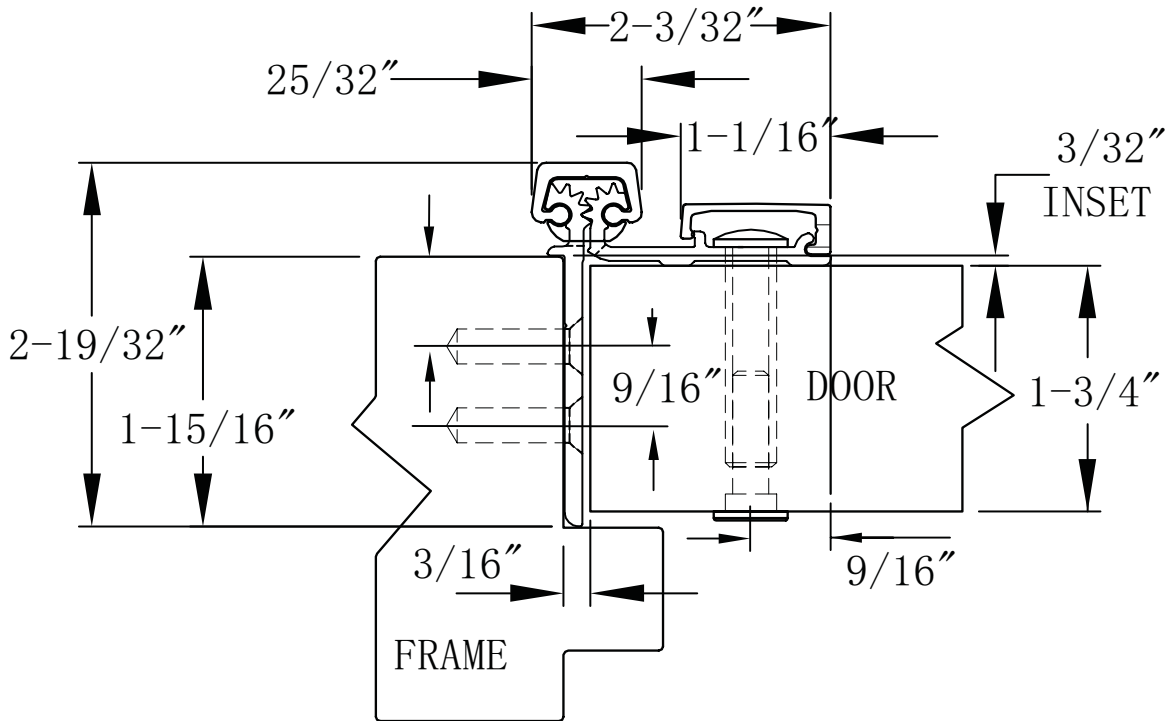
Part #s	Size	Finish
BAH530HD	83" 95"	Clear Bronze



PRODUCT DATA

Geared Continuous Hinges

Heavy Duty Half Surface, Full Frame Leaf, 3/32" Inset



3/32" door inset. Frame leaf covers butt hinge preps. Tamper-resistant, removable door leaf cover.

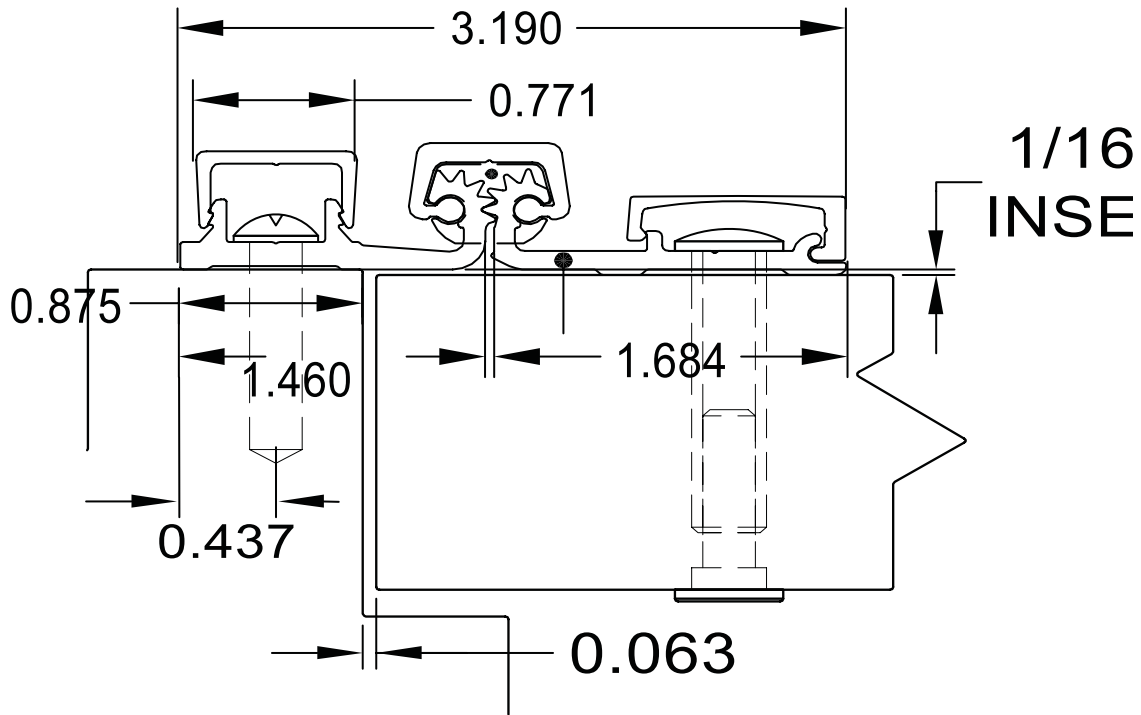
Part #s	Size	Finish
BAH540HD	83" 95"	Clear Bronze



PRODUCT DATA

Geared Continuous Hinges

Heavy Duty Full Surface, Narrow Frame Leaf,
1/16" Inset



1/16" door inset, center pivot. Fits narrow (7/8") frame face. Tamper-resistant, removable door leaf cover.

Part #s	Size	Finish
BAH570HD	83" 95"	Clear Bronze



Geared Continuous Hinges Part Number Comparative Chart

BAHCO	ABH	Roton	SELECT	PEMKO	ZERO	STANLEY	McKINNEY
BAH110HD	A110	780-112HD	SL11HD	FMSLFHD	910DB	661HD	MCK-12HD
BAH210HD	A210	780-210HD	SL21HD	FSHD	930DB	665HD	MCK-22HD
BAH240HD	A240	780-224HD	SL24HD	FMHD	914DB	662HD	MCK-25HD
BAH530HD	A530	780-053HD	SL53HD	-	925DB	-	-
BAH540HD	A540	780-054HD	SL54HD	HSHD	-	663HD	MCK-54HD
BAH570HD	A570	780-157HD	SL57HD	FSCPHD	935DB	664HD	MCK-58HD



BOSTON ARCHITECTURAL HINGE CO. PRICE LIST

Item	Size	Finish	List Price
BAH110HD	83"	Clear	\$119.00
	95"	Clear	\$159.00
	83"	Bronze	\$154.00
	95"	Bronze	\$199.00
BAH210HD	83"	Clear	\$184.00
	95"	Clear	\$229.00
	83"	Bronze	\$229.00
	95"	Bronze	\$302.00
BAH240HD	83"	Clear	\$121.00
	95"	Clear	\$163.00
	83"	Bronze	\$158.00
	95"	Bronze	\$197.00

www.bahcohinge.com



BOSTON ARCHITECTURAL HINGE CO. PRICE LIST

Item	Size	Finish	List Price
BAH530HD	83"	Clear	\$186.00
	95"	Clear	\$228.00
	83"	Bronze	\$253.00
	95"	Bronze	\$298.00
BAH540HD	83"	Clear	\$186.00
	95"	Clear	\$228.00
	83"	Bronze	\$253.00
	95"	Bronze	\$298.00
BAH570HD	83"	Clear	\$184.00
	95"	Clear	\$225.00
	83"	Bronze	\$234.00
	95"	Bronze	\$302.00

www.bahcohinge.com